

Superior Clamping and Gripping



Modular Connection Kit Gripping Systems

More than 150 Adapter Elements for
your individual Gripping System

Superior Clamping and Gripping



Henrik A. Schunk, Kristina I. Schunk, brand ambassador Jens Lehmann, and Heinz-Dieter Schunk

Top Performance in the Team

SCHUNK is the world's No. 1 for gripping systems and clamping technology – from the smallest parallel gripper to the largest chuck jaw program.

As a competence leader, we recognize and develop standards with a large potential for the future, which will drive the rapid progress in many industries.

Our customers profit from the expert knowledge, the experience, and the team spirit of more than 3,500 employees in our innovative family-owned company.

The Schunk family wishes you improved end results with our quality products.

Heinz-Dieter Schunk

Henrik A. Schunk

Kristina I. Schunk

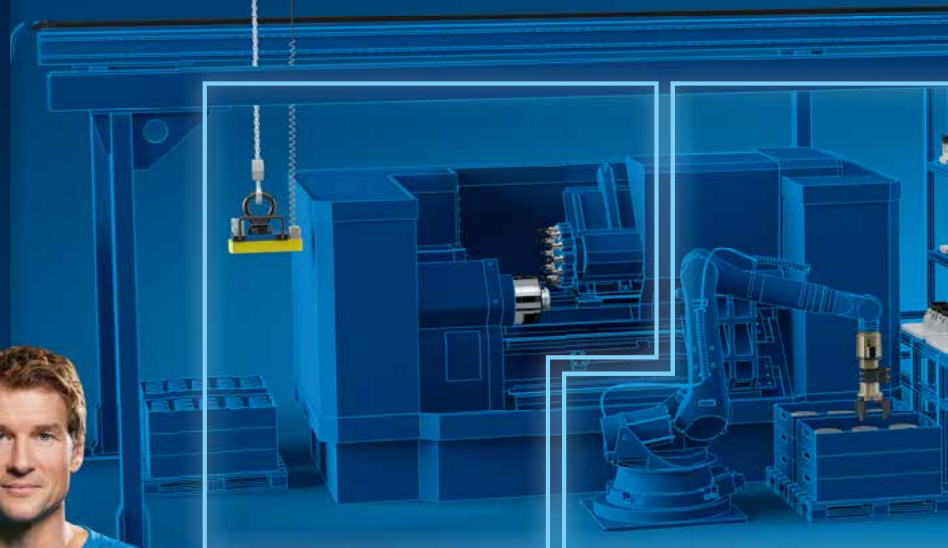
Superior Clamping and Gripping

Jens Lehmann stands for safe, precise gripping and holding. As a brand ambassador of the SCHUNK team, the No. 1 goalkeeper represents our global competence leadership for gripping systems and clamping technology. The top performance of SCHUNK and Jens Lehmann are characterized by dynamics, precision, and reliability.

For more information visit our website:
schunk.com/lehmann



J. Lehmann
Jens Lehmann



... in your Lathe

... for your Automated Machine Loading

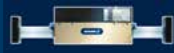
It's time to use of your machine's full potential!

Our superior components can unlock potential you didn't even know you had. In your machine. SCHUNK Synergy – the perfectly harmonized relationship between gripping systems and clamping technology turns our customers into productivity champions ...



SCHUNK Grippers

Precise grip!
From a few grams
to over a ton.



Linear Modules

Accurate movement!
High speed in all axes.



Modular Assembly

Uniquely individual!
Due to the flexibility of the
modular system.



Robot Accessories

Perfectly connected!
The interplay between
robot and tool.



Rotary Modules

Get the hang of it!
Limited or endless –
free or clocked.



Mobile Gripping Systems

Technologies for
handling the future.



... in your Automated
Handling System



... in your Machining Center



... in your Automated Assembly



... in your Service Ro-
botics Application

Modular Connection Kit Gripping Systems



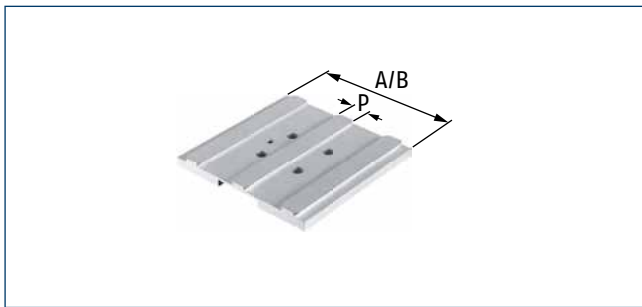
Content

	Page
Gripper Change System	6
Profiles	8
Profile Connectors	13
Clamping Pieces	18
Gripper Arms for Suction Grippers	22
Suction Grippers	26
Adapters and Retaining Plate for Grippers	29
Adapters for Rotary Units	43
Gripper Fingers and Accessories	49
SCHUNK Contact	54

Gripper Change System

Modular Connection Kit Gripping Systems

Adapter Plate ADA-HWA for Gripper Change System HWA



- Fitting for centering
- Fitting bore for centering
- Integration into PreciGrip system
- Low weight (aluminum material)
- Different version on request

Handling weight as guide value
Holding force 10 N = 1 kg

Technical Data

Description	ID	A/B [mm]	Profile P	Handling weight [kg]	Suitable for
ADA-HWA-063-P13-2	1331806	80	P13	5	HWA-063
ADA-HWA-080-P22-2	1403835	100	P22	10	HWA-080
ADA-HWA-100-P22-3	1403836	125	P22	10	HWA-100
ADA-HWA-125-P22-3	1403837	160	P22	20	HWA-125

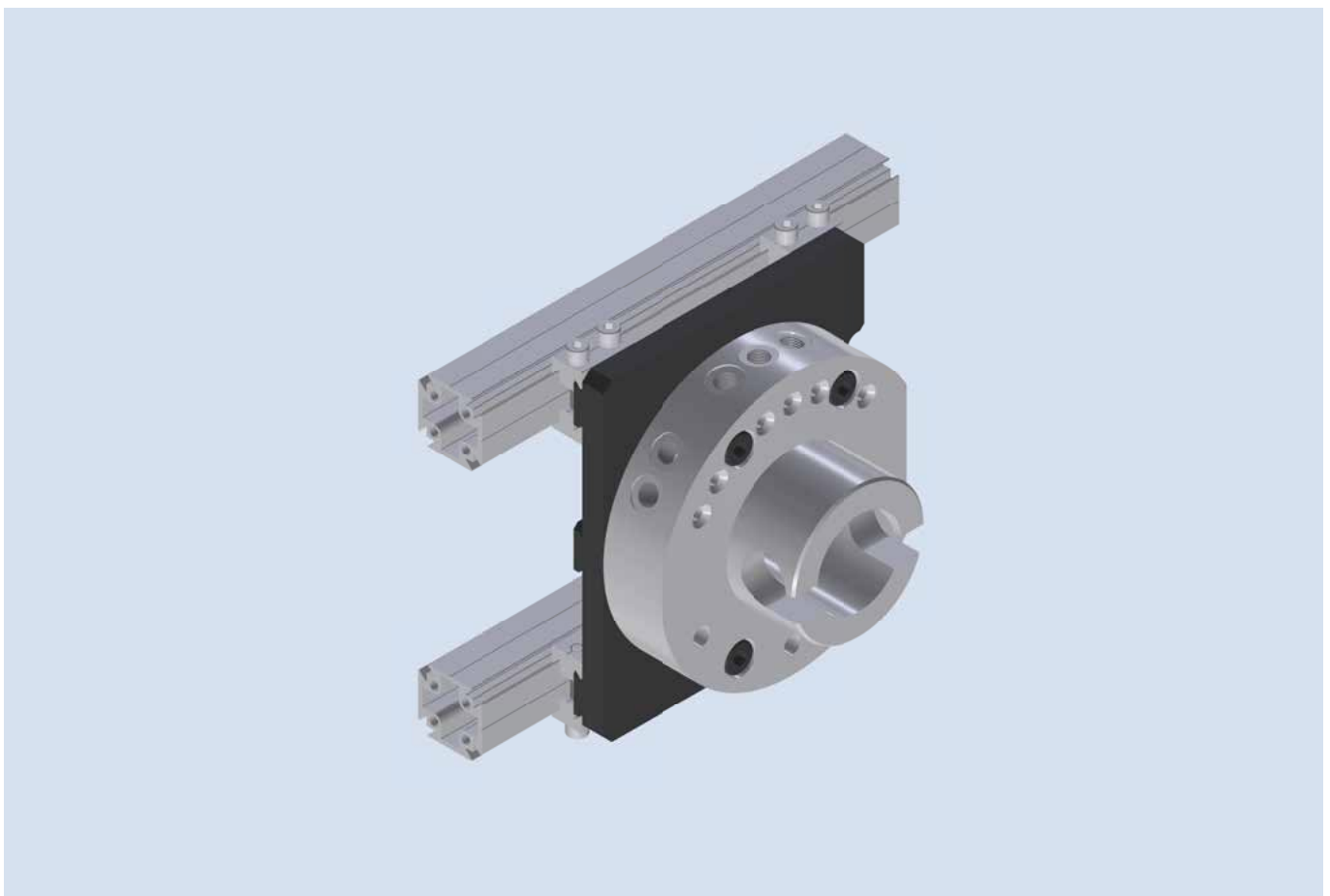
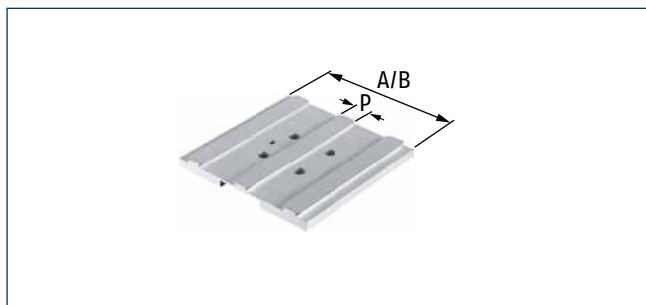


Illustration may differ from the original

Adapter Plate ADA-SWA for Gripper Change System SWA



- Fitting for centering
- Fitting bore for centering
- Integration into PreciGrip system
- Low weight (aluminum material)
- Different version on request

Handling weight as guide value
Holding force 10 N = 1 kg

Technical Data

Description	ID	A/B [mm]	Profile P	Handling weight [kg]	Suitable for
ADA-SWA-021-P22-3	1331782	160	P22	20	SWA-021
ADA-SWA-040-P22-2	1331785	160	P22	20	SWA-040
ADA-SWA-060-P22-3	1331801	250	P22	40	SWA-060
ADA-SWA-076-P22-3	1331805	250	P22	40	SWA-076

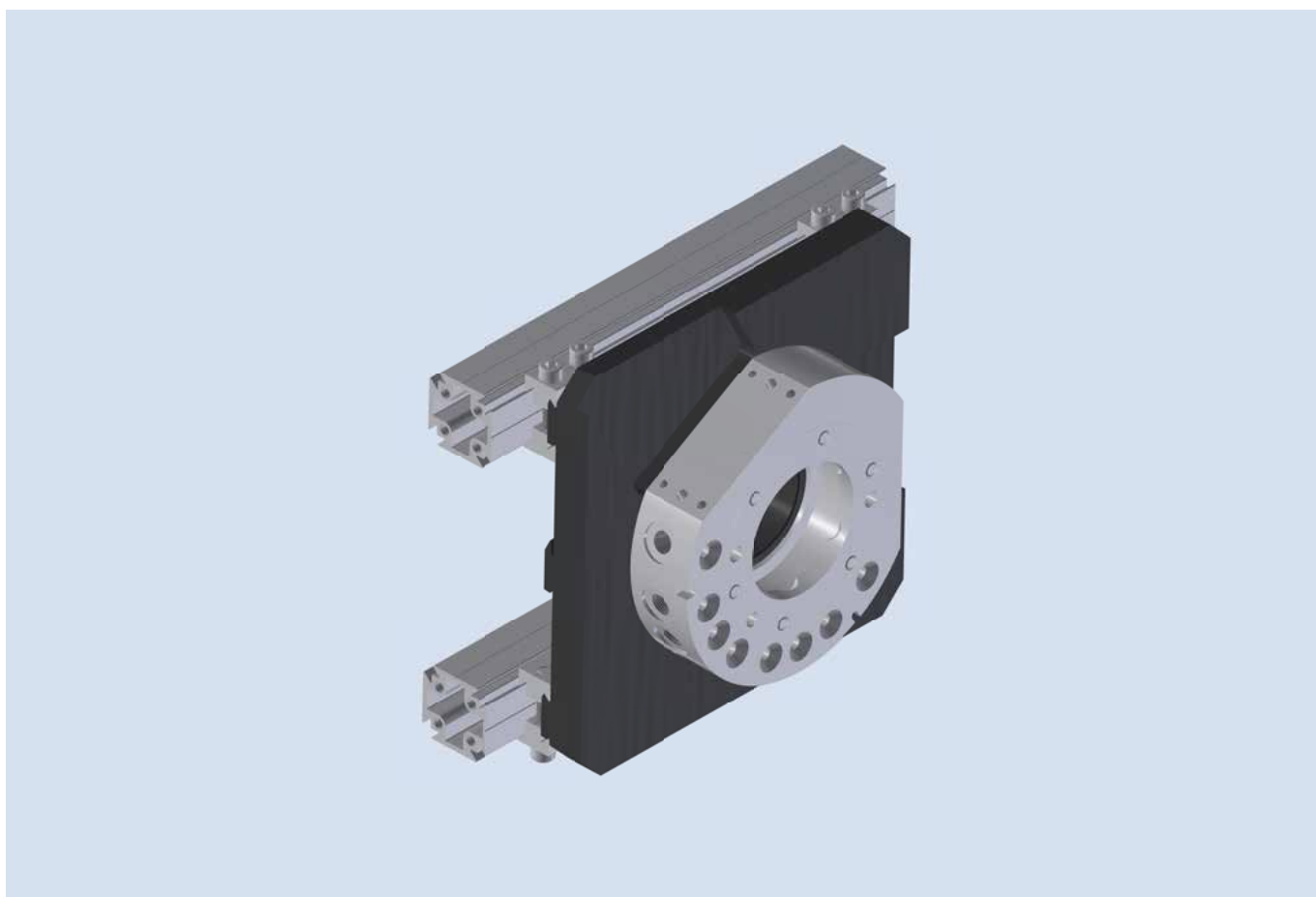
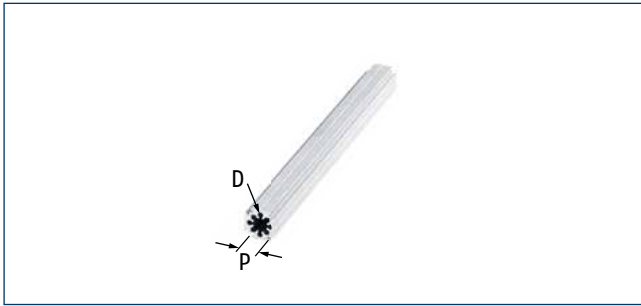


Illustration may differ from the original

Profiles

Modular Connection Kit Gripping Systems

PreciGrip Profile SPP-18-18



- With 4 prisms
- 2 front bores for M4 threads
- Pipe cross-section
- New design
- Silver anodized surface
- Special lengths and cuts on request max. length 6,000 mm

Static Values:

A = 1.506 cm²
E_x = 0.90 cm
E_y = 0.90 cm
I_x = 0.47 cm (high4)
I_y = 0.47 cm (high4)
W_x = 0.51 cm³
W_y = 0.51 cm³
Weight = 0.408 kg/m
Tensile strength 205 N/mm²

Accessories:

- Profile end caps PEK-P

Technical Data

Description	ID	Length [mm]	D	P	Weight [g]
SPP-18-18-P13-0500	1332109	500	M4	P13	172
SPP-18-18-P13-1000	1332119	1000	M4	P13	343
SPP-18-18-P13-1500	1332124	1500	M4	P13	516
SPP-18-18-P13-2000	1332131	2000	M4	P13	686
SPP-18-18-P13-6000	1332137	6000	M4	P13	2056



Illustration may differ from the original

PreciGrip Profile MPP-30-30



- With 4 prisms
- 4 front bores for M5 threads
- Silver anodized surface
- Special lengths and cuts on request max. length 6,000 mm

Static Values:

$A = 3.432 \text{ cm}^2$
 $E_x = 1.50 \text{ cm}$
 $E_y = 1.50 \text{ cm}$
 $I_x = 3.2 \text{ cm (high4)}$
 $I_y = 3.2 \text{ cm (high4)}$
 $W_x = 2.13 \text{ cm}^3$
 $W_y = 2.13 \text{ cm}^3$
 Weight = 0.93 kg/m
 Tensile strength 205 N/mm²

Technical Data

Description	ID	Length [mm]	D	P	Weight [g]
MPP-30-30-P22-1000	1332177	1000	M5	P22	930
MPP-30-30-P22-1500	1332180	1500	M5	P22	1395
MPP-30-30-P22-2000	1332182	2000	M5	P22	1860
MPP-30-30-P22-6000	1332191	6000	M5	P22	5580

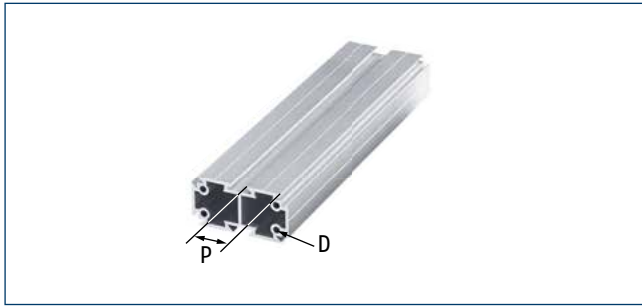


Illustration may differ from the original

Profiles

Modular Connection Kit Gripping Systems

PreciGrip Profile MPP-60-30



- With 3 prisms
- 1 positive-locking mounting groove
- 2 front bores for M5 threads
- Silver anodized surface
- Special lengths and cuts on request max. length 6,000 mm

Static Values:

A = 5.821 cm²
E_x = 1.50 cm
E_y = 1.50 cm
I_x = 21.73 cm (high4)
I_y = 6.22 cm (high4)
W_x = 7.24 cm³
W_y = 4.15 cm³
Weight = 1.577 kg/m
Tensile strength 205 N/mm²

Technical Data

Description	ID	Length [mm]	D	Weight [g]
MPP-60-30-P22-1000	1332218	1000	M5	1577
MPP-60-30-P22-1500	1332222	1500	M5	2366
MPP-60-30-P22-2000	1332225	2000	M5	2684
MPP-60-30-P22-6000	1332227	6000	M5	9462

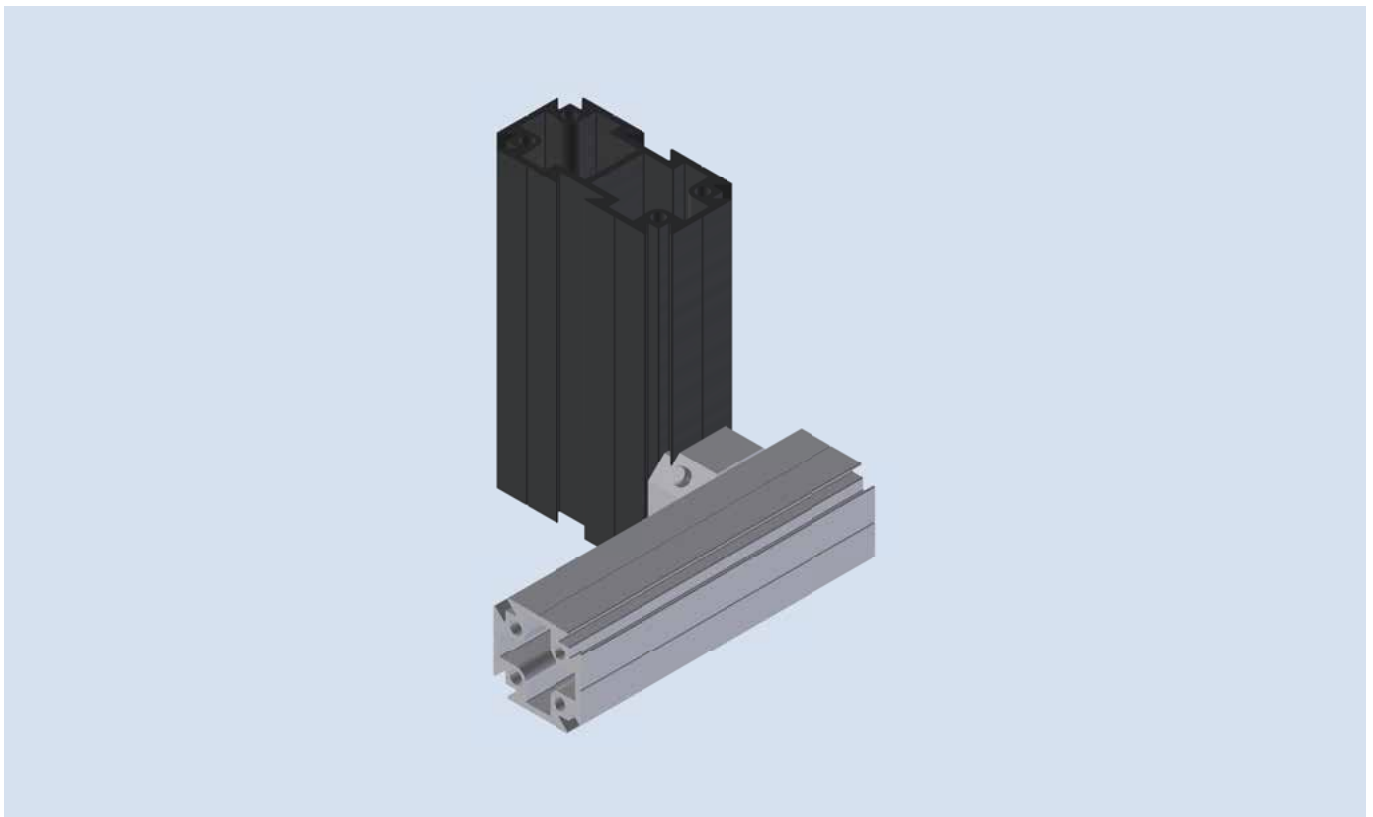
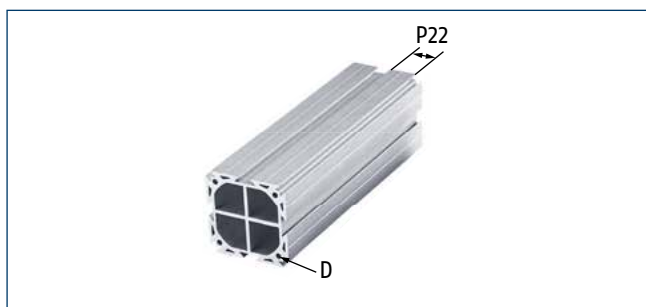


Illustration may differ from the original

PreciGrip Profile MPP-60-60



- With 8 prisms
- 4 front bores for M5 threads
- Pipe cross-section
- Silver anodized surface
- Special lengths and cuts on request max. length 6,000 mm

Static Values:

$A = 11.916 \text{ cm}^2$
 $E_x = 3.00 \text{ cm}$
 $E_y = 3.00 \text{ cm}$
 $I_x = 49.02 \text{ cm (high4)}$
 $I_y = 49.02 \text{ cm (high4)}$
 $W_x = 16.34 \text{ cm}^3$
 $W_y = 16.34 \text{ cm}^3$
 Weight = 3.216 kg/m
 Tensile strength 205 N/mm²

Accessories:

- Profile end caps PEK-P

Technical Data

Description	ID	Length [mm]	D	P	Weight [g]
MPP-60-60-P22-0500	1332230	500	M5	P22	1613
MPP-60-60-P22-1000	1332233	1000	M5	P22	3225
MPP-60-60-P22-1500	1332236	1500	M5	P22	4838
MPP-60-60-P22-2000	1332237	2000	M5	P22	6450
MPP-60-60-P22-6000	1332239	6000	M5	P22	19350

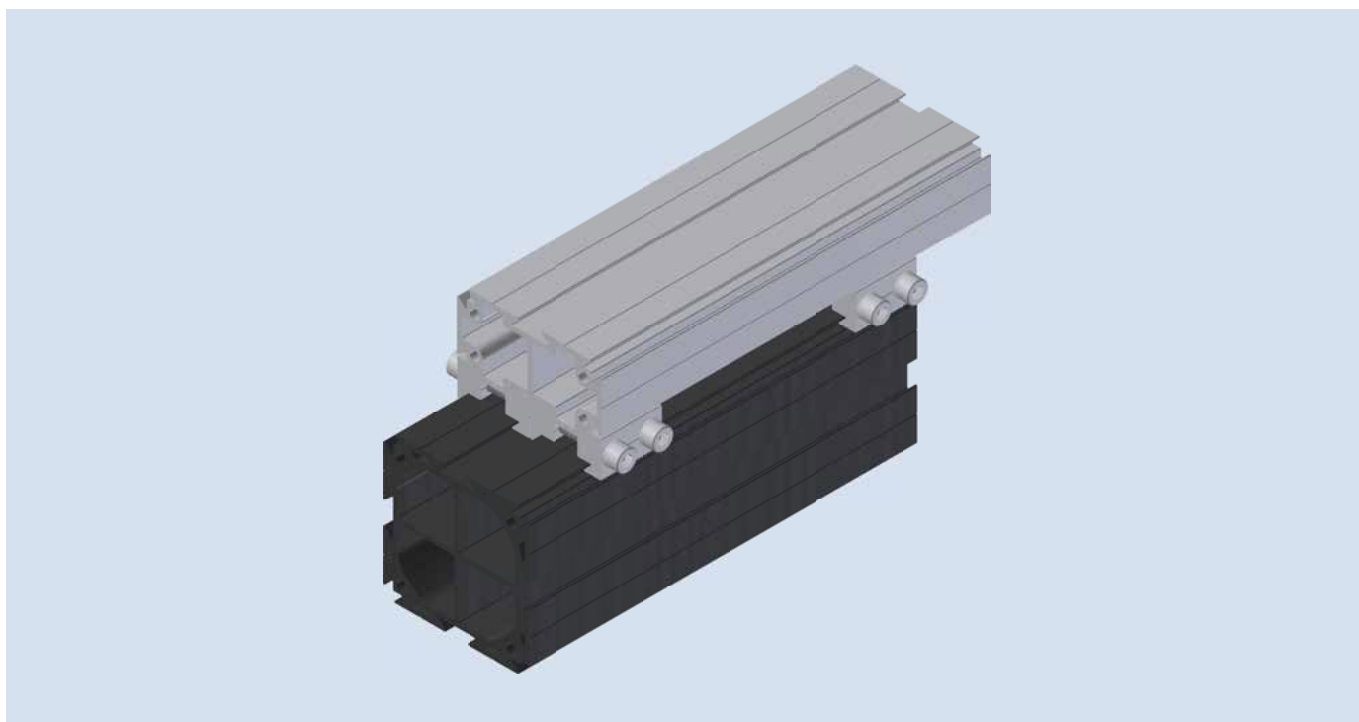
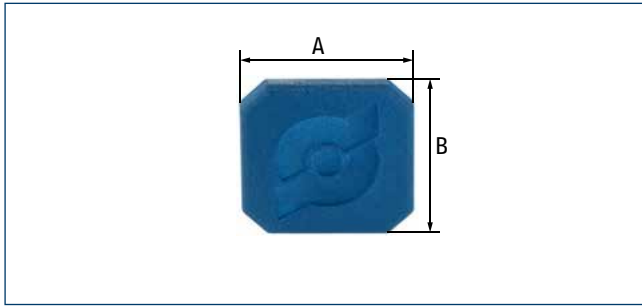


Illustration may differ from the original

Profiles

Modular Connection Kit Gripping Systems

Profile End Caps PEK-P



- Cap of profile end face
- Profile edge protection
- Shipping unit 10 pieces
- Minimum order quantity 40 pieces

Technical Data

Description	ID	A	B	Suitable for	Weight [g]
PEK-18-10-P13-SCHUNK	1333060	18	10	SPP-18-10-P13	6/10
PEK-18-18-P13-SCHUNK	1333066	18	18	SPP-18-18-P13	7/10
PEK-30-30-P22-SCHUNK	1333084	30	30	MPP-30-30-P22	27/10
PEK-30-30-P22-N-SCHUNK	1333087	30	30	MPP-30-30-P22-N	27/10
PEK-60-60-P22-SCHUNK	1333096	60	60	MPP-60-60-P22	36/10

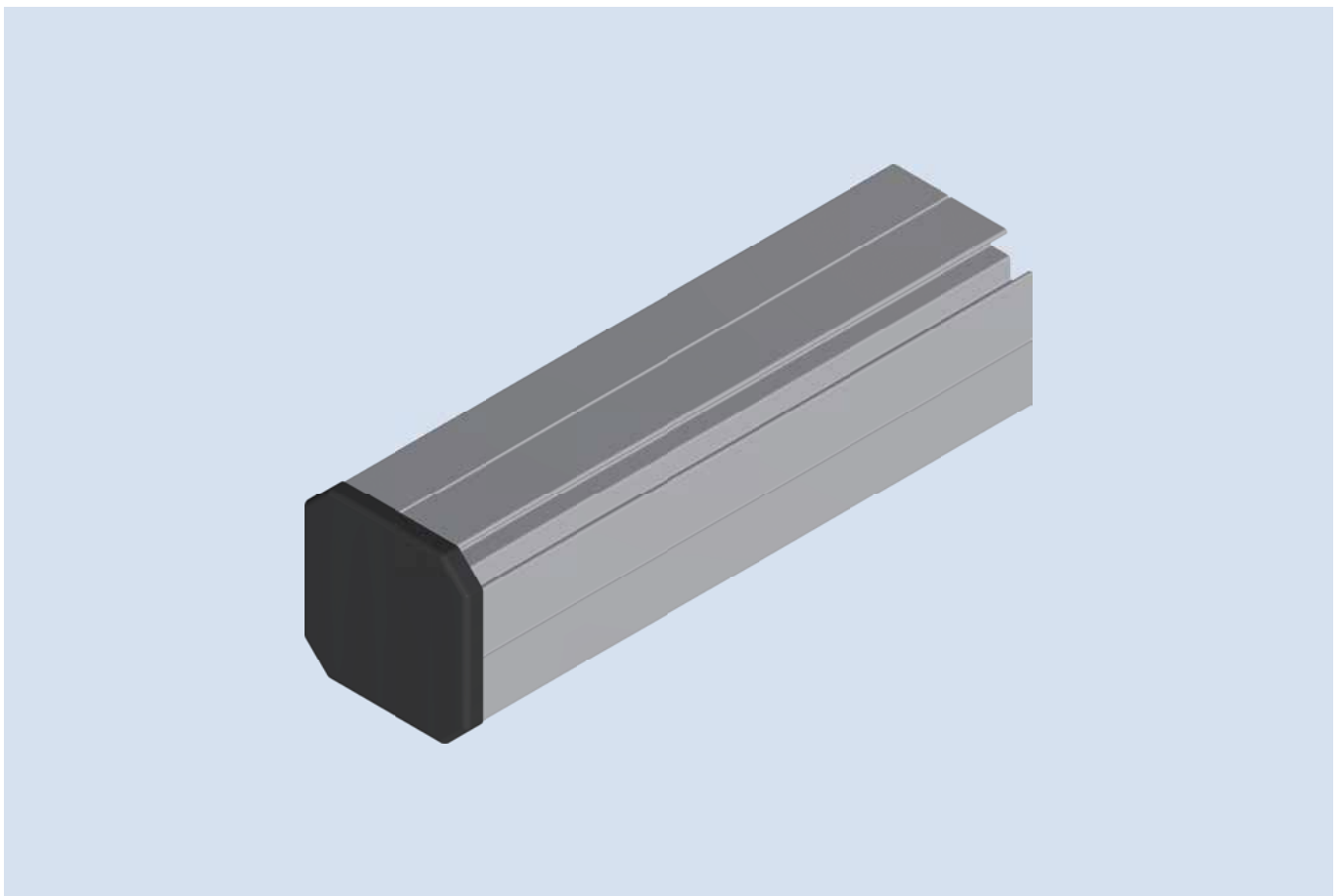
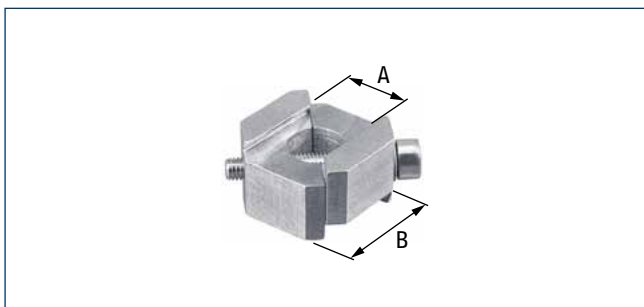


Illustration may differ from the original

Cross Connector KVS-P



- Universal connector
- With one screw
- Aluminum material

Technical Data

Description	ID	A	B	Suitable for	Weight [g]
KVS-P13-P13	1333602	P13	P13	SPP	8
KVS-P13-P22	1333604	P13	P22	SPP/MPP	24
KVS-P22-P22	1333606	P22	P22	MPP	26

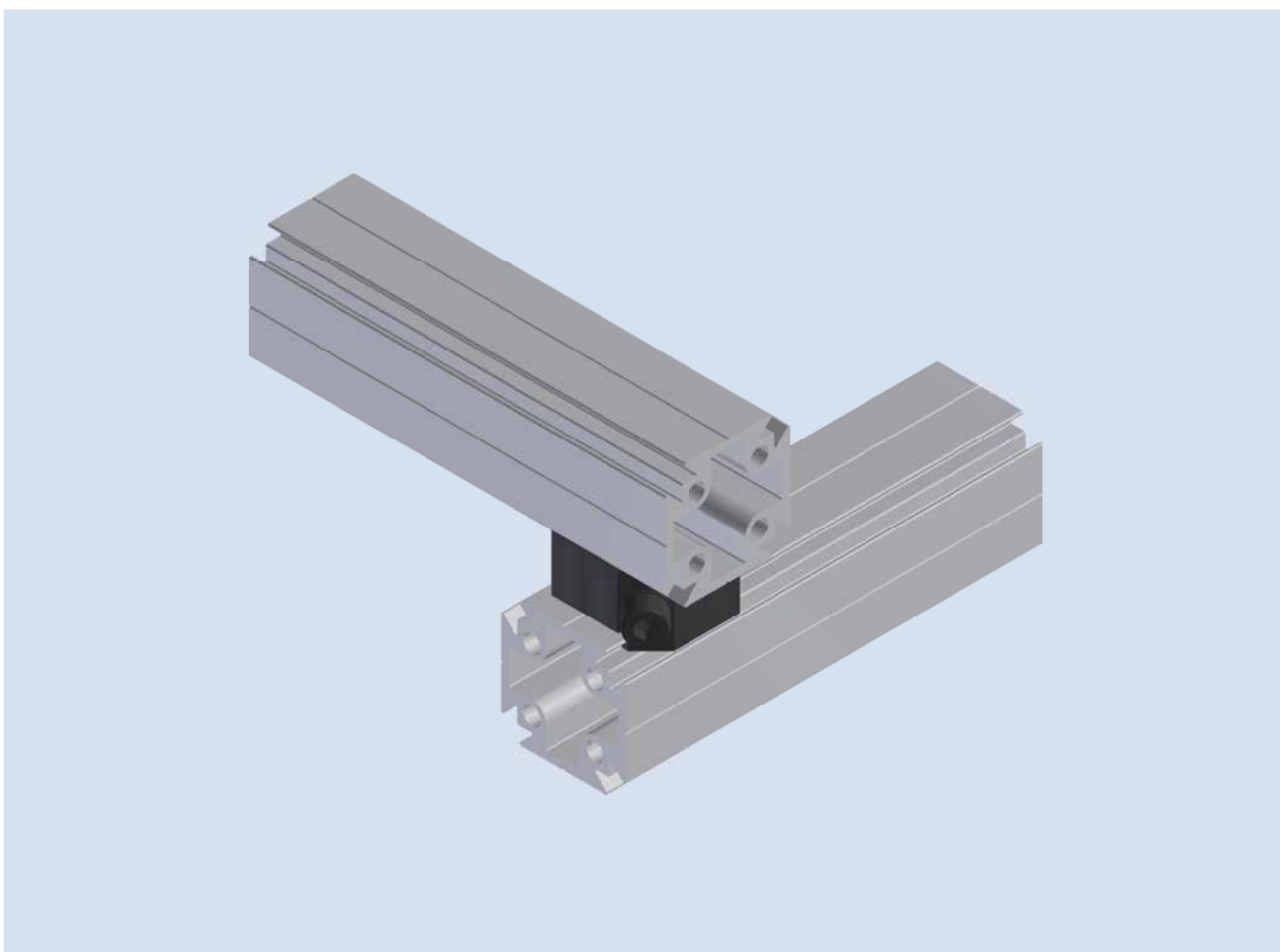
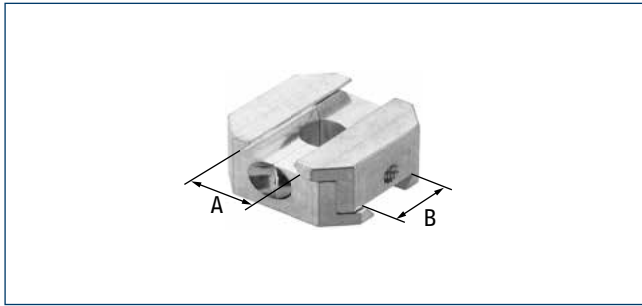


Illustration may differ from the original

Profile Connectors

Modular Connection Kit Gripping Systems

Cross Connector KVS-P-V, reinforced Version



- Universal connector
- Highly stable version
- Aluminum material

Technical Data

Description	ID	A	B	Suitable for
KVS-P13-P13-2-V	1333666	P13	P13	SPP
KVS-P22-P22-2-V	1333667	P22	P22	MPP

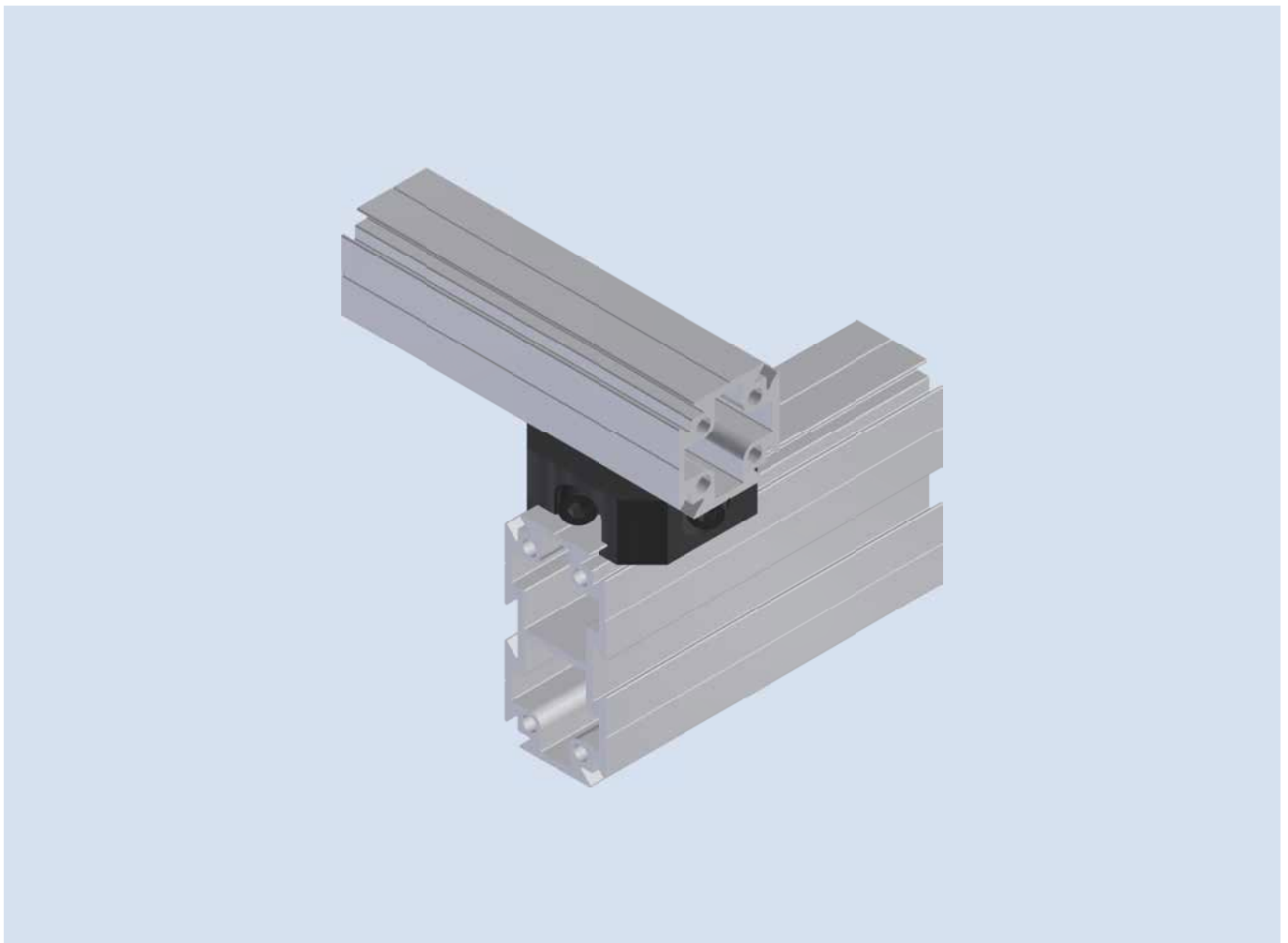
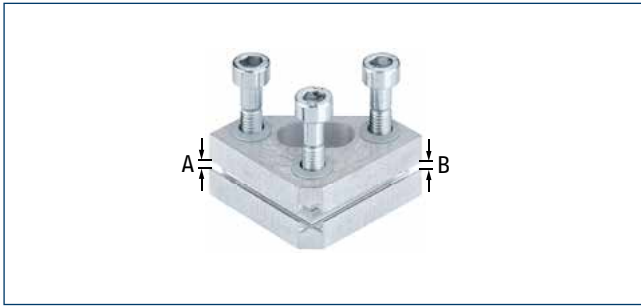


Illustration may differ from the original

Angular Connector WIV-P



- Universal connector
- Stable 90° connection
- Aluminum material

Technical Data

Description	ID	A	B	Number of screws per profile	Suitable for	Weight [g]
WIV-1-P13-P13	1333613	P13	P13	1	SPP	10
WIV-2-2-P13-P13	1333616	P13	P13	2	SPP	17
WIV-3-3-P13-P13	1333617	P13	P13	3	SPP	
WIV-2-2-P13-P22	1333620	P13	P22	2	SPP/MPP	48
WIV-3-3-P22-P22	1333626	P22	P22	3	MPP	95
WIV-2-2-P22-P22	1333628	P22	P22	2	MPP	43

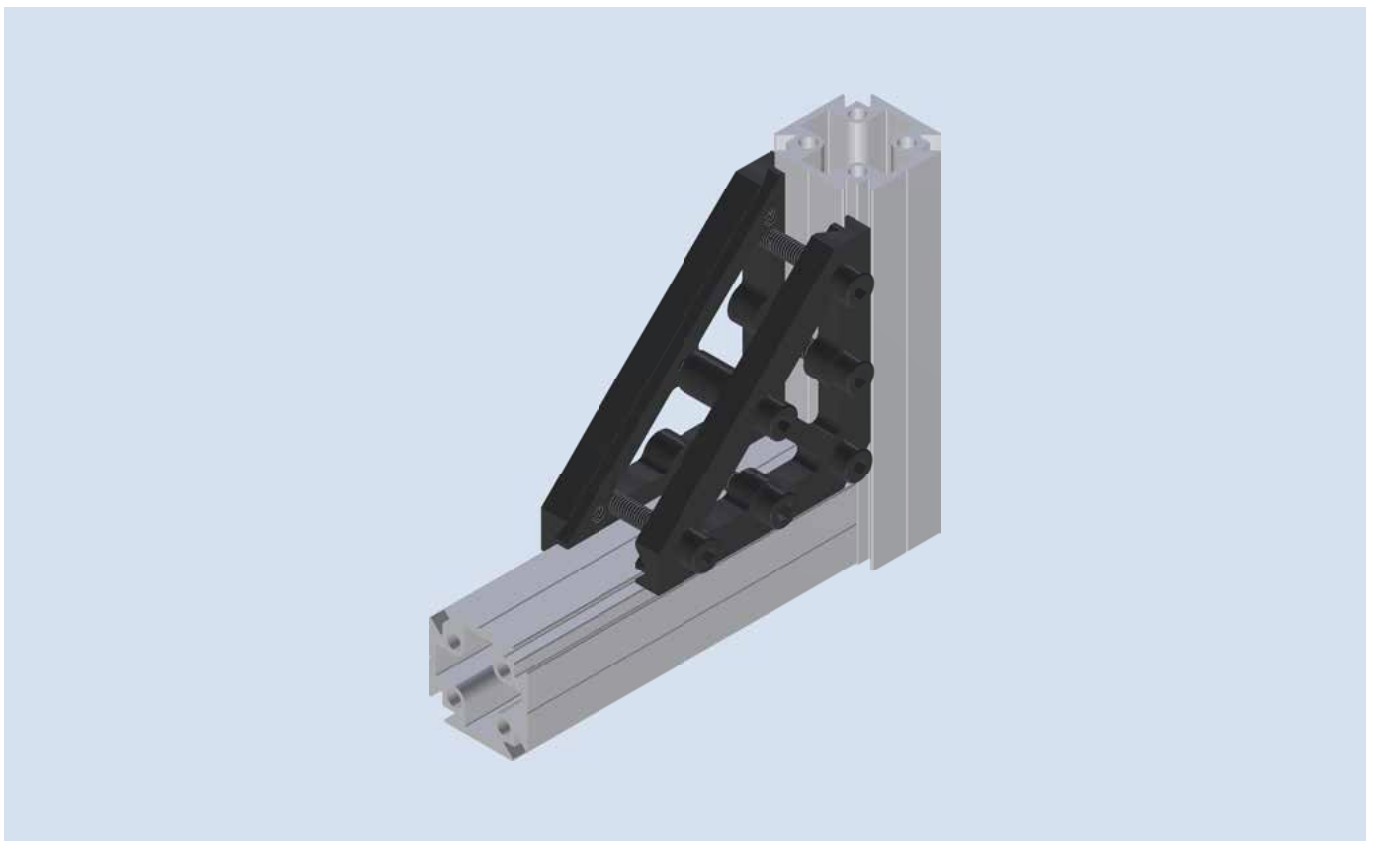
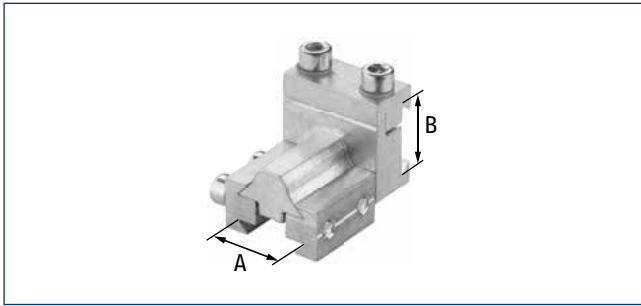


Illustration may differ from the original

Profile Connectors

Modular Connection Kit Gripping Systems

Outer Clamping Connection Prism KVP-A-P-P



- Very stable and slim clamping connection for parts and profiles with prisms
- Milled from solid material
- Angular accuracy
- No loss of space due to intermediate pieces (profile contacts profile)
- Aluminum material

Technical Data

Description	ID	A	B	Suitable for	Weight [g]
KVP-A-P13-P13	1333697	P13	P13	SPP	22
KVP-A-P22-P22	1333698	P22	P22	MPP	69
KVP-A-P22-P13	1333699	P13	P22	SPP/MPP	43

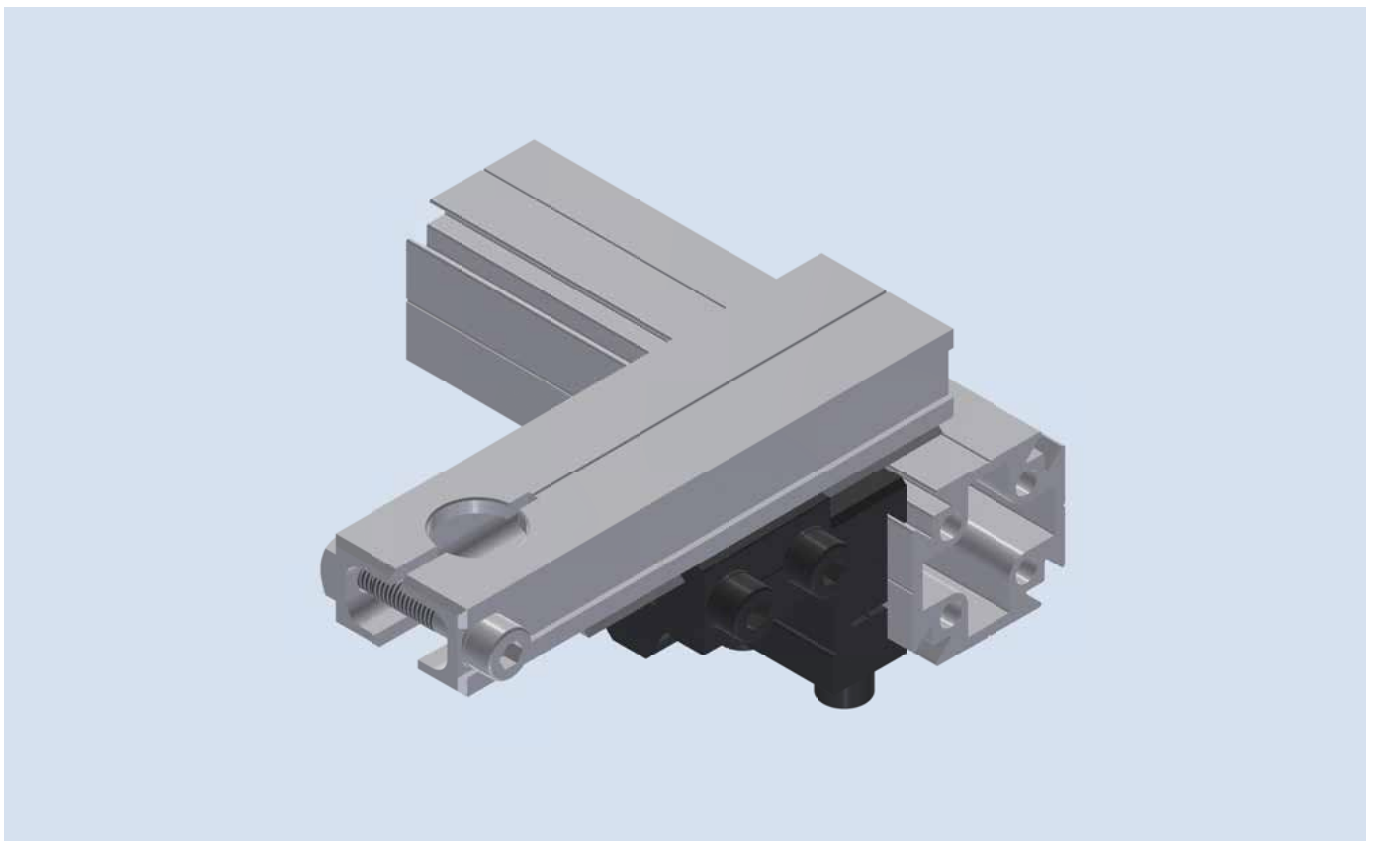
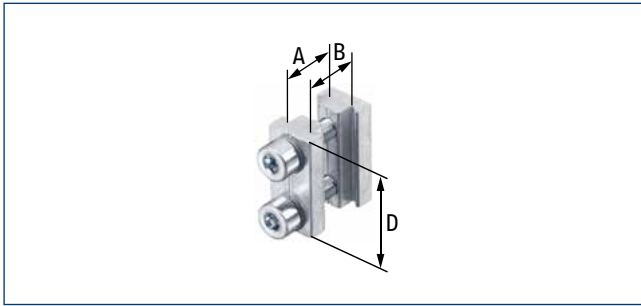


Illustration may differ from the original

Profile Parallel Connector PPV-P



- Stable, form and force-fit connection of parts or profiles with a prism
- Milled from solid material
- Enables edge-to-edge connection of profiles
- No need to drill bores
- Aluminum material

Technical Data

Description	ID	A	B	Number of screws	D [mm]	Suitable for	Weight [g]
PPV-P13-P13-1	1333611	P13	P13	1	15	SPP	5
PPV-P13-P13-2	1333614	P13	P13	2	20	SPP	9
PPV-P13-P22-2	1333622	P13	P22	2	25	SPP/MPP	26
PPV-P22-P22-2	1333631	P22	P22	2	25	MPP	24
PPV-P13-P13-3-100	1333635	P13	P13	3	100	SPP	31
PPV-P22-P22-4-160	1333638	P22	P22	4	160	SPP	114
PPV-P22-P22-5-250	1333641	P22	P22	5	250	MPP	172

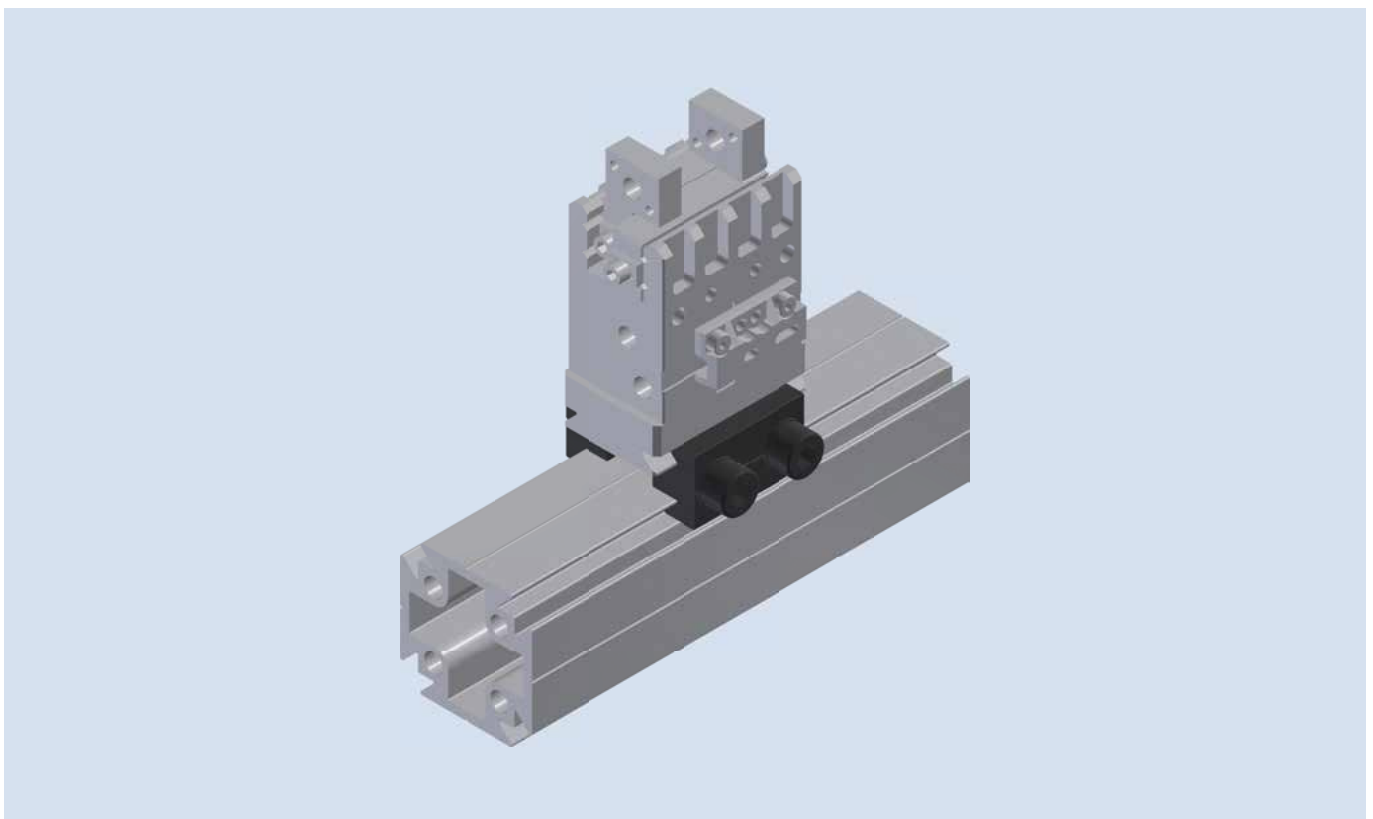
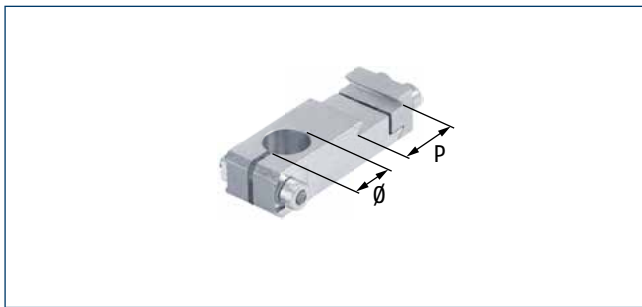


Illustration may differ from the original

Clamping Pieces

Modular Connection Kit Gripping Systems

Clamping Piece Prism KST-P



- Round elements like gripper arms, gripping tongs and gripper fingers can be inserted without any problem
- Pipe clamp with screw and square steel nut
- Aluminum material

Accessories:

- Gripper arms for suction grippers

Technical Data

Description	ID	\varnothing [mm]	P	Suitable for	Weight [g]
KST-10-P13	1333845	10	P13	SPP	16
KST-14-P13	1333846	14	P13	SPP	18
KST-14-P22	1333847	14	P22	MPP	45
KST-20-P22	1333848	20	P22	MPP	49
KST-30-P22	1333863	30	P22	MPP	111

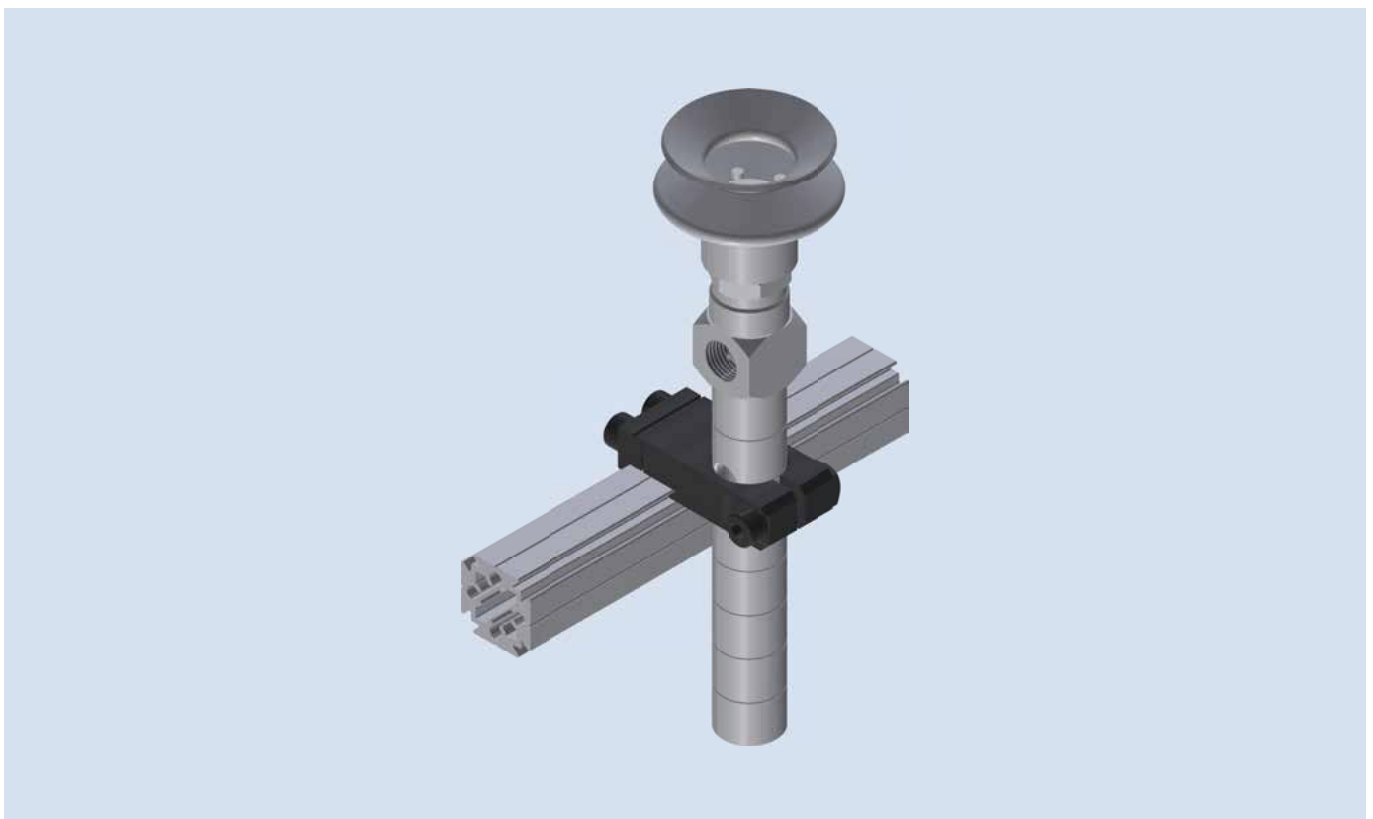
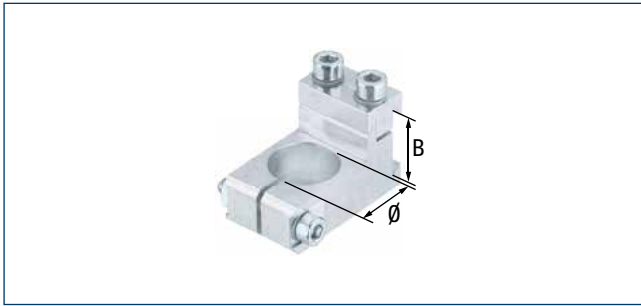


Illustration may differ from the original

Clamping Piece Prism Angle KST-P-W



- Round elements like gripper arms, gripping tongs and gripper fingers can be inserted without any problem
- Pipe clamp with screw and square steel nut
- Aluminum material

Accessories:

- Gripper arms for suction grippers

Technical Data

Description	ID	\varnothing [mm]	P	Suitable for	Weight [g]
KST-10-P13-W	1333866	10	P13	SPP	16
KST-14-P13-W	1333867	14	P13	SPP	20
KST-14-P22-W	1333868	14	P22	MPP	48
KST-20-P22-W	1333872	20	P22	MPP	53
KST-30-P22-W	1333873	30	P22	MPP	109

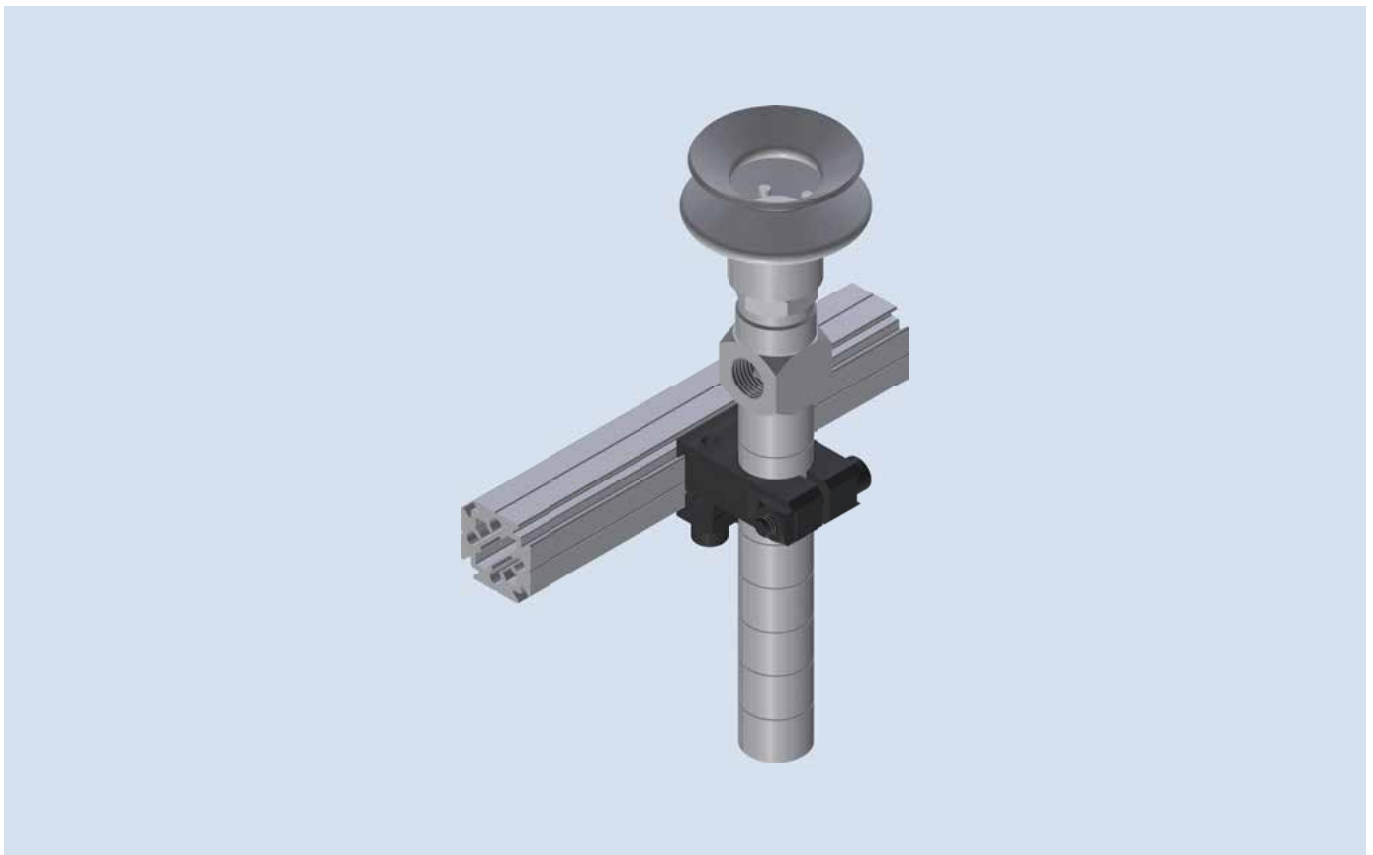
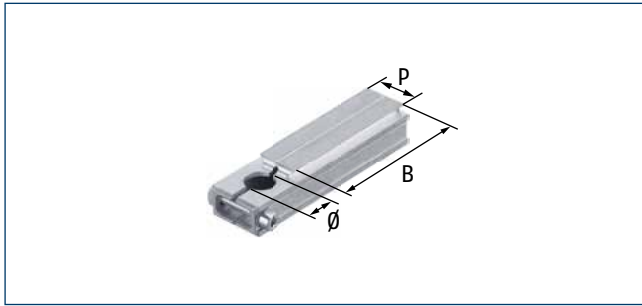


Illustration may differ from the original

Clamping Pieces

Modular Connection Kit Gripping Systems

Adjustable Clamping Piece Prism KSV-P



- Special lengths are easy to realize
- Round elements like gripper arms, gripping tongs and gripper fingers can be inserted without any problem
- Pipe clamp with screw and square steel nut
- Aluminum material
- Cross connector KVS-P
- Parallel connector PPV-P

Accessories:

- Gripper arms for suction grippers

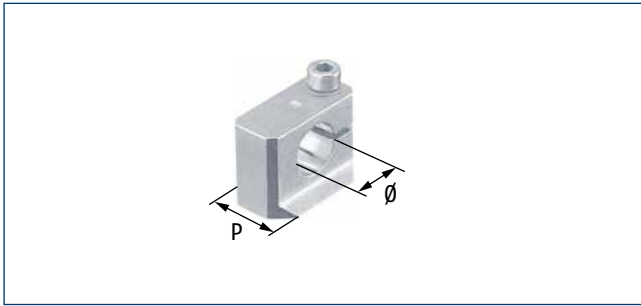
Technical Data

Description	ID	Ø [mm]	B [mm]	P	Suitable for	Weight [g]
KSV-10-60-P13	1333874	10	60	P13	SPP	32
KSV-10-140-P13	1333879	10	140	P13	SPP	61
KSV-10-500-P13	1333880	10	500	P13	SPP	220
KSV-14-70-P13	1333881	14	70	P13	SPP	36
KSV-14-150-P13	1333883	14	150	P13	SPP	66
KSV-14-500-P13	1333885	14	500	P13	SPP	220
KSV-14-70-P22	1333889	14	70	P22	MPP	54
KSV-14-160-P22	1333893	14	160	P22	MPP	116
KSV-14-500-P22	1333903	14	500	P22	MPP	340
KSV-20-80-P22	1333906	20	80	P22	MPP	67
KSV-20-180-P22	1333907	20	180	P22	MPP	118
KSV-20-500-P22	1333908	20	500	P22	MPP	330



Illustration may differ from the original

Round Cross Connector Piece Prism KKR-P



- Round elements like gripper arms, gripping tongs and gripper fingers can be mounted onto the PreciGrip profile
- Centering for pinning of gripper arm and clamping piece
- Aluminum material
- Cross connector KVS-P
- Parallel connector PPV-P

Accessories:

- Gripper arms for suction grippers

Technical Data

Description	ID	Ø [mm]	P	Weight [g]
KKR-10-P13	1333937	10	P13	55
KKR-14-P13	1333942	14	P13	21
KKR-14-P22	1333944	14	P22	27
KKR-20-P22	1333947	20	P22	34
KKR-30-P22	1333949	30	P22	79

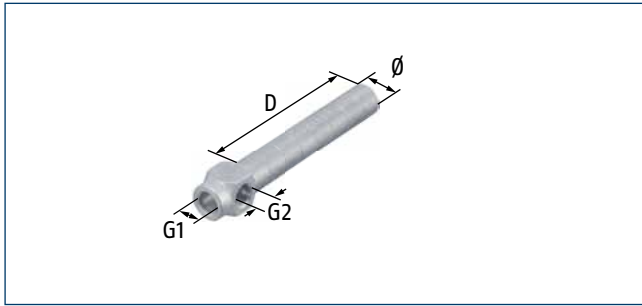


Illustration may differ from the original

Gripper Arms for Suction Grippers

Modular Connection Kit Gripping Systems

Gripper Arm Thread rigid GGS



- Marking grooves on shank every 10 mm for simple adjustment
- Aluminum material
- Other lengths on request

Accessories:

- Suction grippers

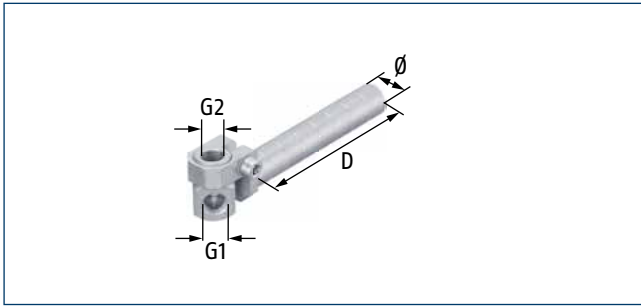
Technical Data

Description	ID	Ø [mm]	G1	G2	D [mm]	Weight [g]
GGS-10-5-5-30	1334032	10	M5	M5	30	8
GGS-10-5-5-60	1334034	10	M5	M5	60	14
GGS-10-5-5-90	1334036	10	M5	M5	90	19
GGS-10-18-5-30	1334038	10	G1/8	M5	30	10
GGS-10-18-5-60	1334039	10	G1/8	M5	60	15
GGS-10-18-5-90	1334040	10	G1/8	M5	90	21
GGS-14-18-18-40	1334042	14	G1/8	G1/8	40	20
GGS-14-18-18-80	1334043	14	G1/8	G1/8	80	26
GGS-14-18-18-120	1334045	14	G1/8	G1/8	120	34
GGS-20-14-18-50	1334047	20	G1/4	G1/8	50	43
GGS-20-14-18-100	1334049	20	G1/4	G1/8	100	49
GGS-20-14-18-150	1334050	20	G1/4	G1/8	150	64



Illustration may differ from the original

Gripper Arm Thread movable GGB



- Suction gripper position adjustment via a screw
- Marking grooves on shank every 10 mm for simple adjustment
- Aluminum material
- Other lengths on request

Accessories:

- Suction grippers

Technical Data

Description	ID	Ø [mm]	G1	G2	D [mm]	Weight [g]
GGB-10-5-5-30	1334089	10	M5	M5	30	15
GGB-10-5-5-60	1334090	10	M5	M5	60	17
GGB-10-5-5-90	1334092	10	M5	M5	90	20
GGB-14-18-18-40	1334096	14	G1/8	G1/8	40	28
GGB-14-18-18-80	1334099	14	G1/8	G1/8	80	37
GGB-14-18-18-120	1334102	14	G1/8	G1/8	120	45
GGB-20-14-18-50	1334104	20	G1/4	G1/8	50	70
GGB-20-14-18-100	1334107	20	G1/4	G1/8	100	90
GGB-20-14-18-150	1334109	20	G1/4	G1/8	150	100
GGB-20-38-14-50	1334111	20	G3/8	G1/4	50	70
GGB-20-38-14-100	1334112	20	G3/8	G1/4	100	90
GGB-20-38-14-150	1334113	20	G3/8	G1/4	150	100

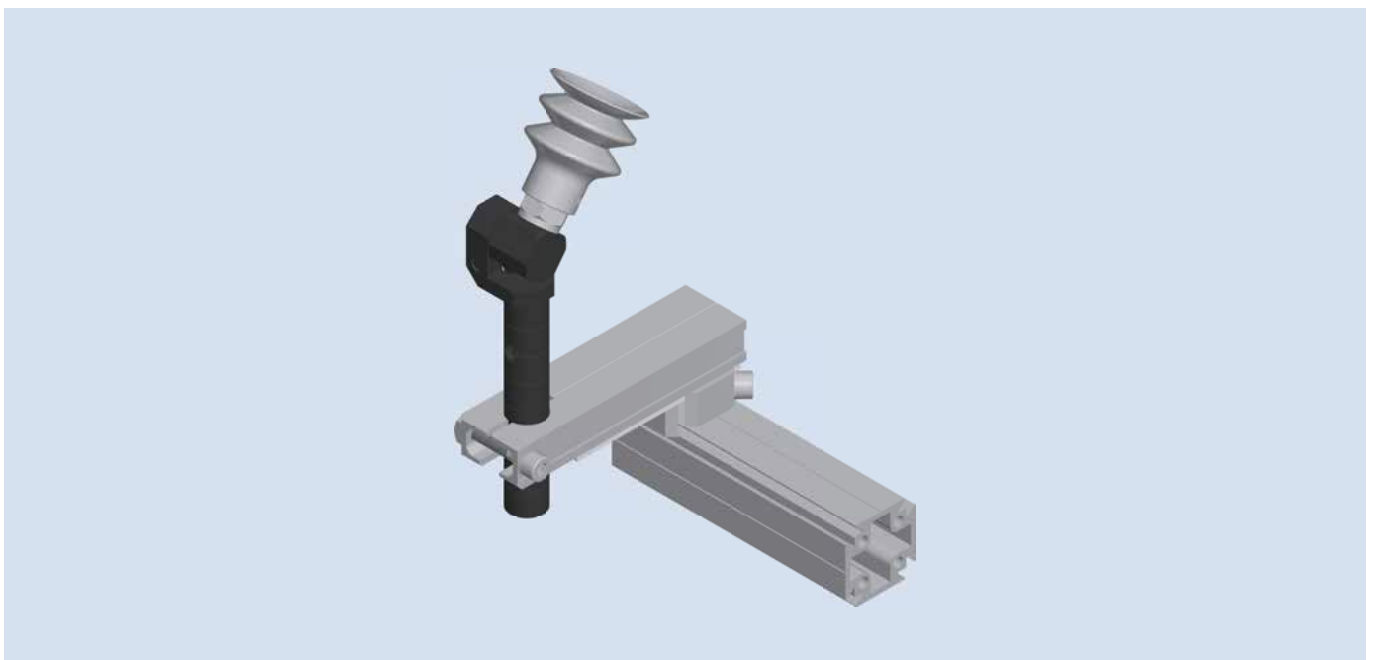
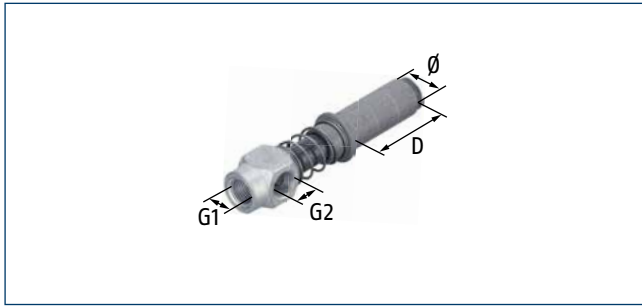


Illustration may differ from the original

Gripper Arms for Suction Grippers

Modular Connection Kit Gripping Systems

Rotatable, spring-actuated Gripper Arm GGD



- Extremely light (aluminum material)
- Guide (pipe and shaft) with special glide coating, hardened
- Marking grooves on shank every 10 mm for simple adjustment
- All spring-loaded gripping arms must always be aligned 90° to the gripper base plate and towards the ejector stroke
- Suction grippers

Accessories:

- Suction grippers

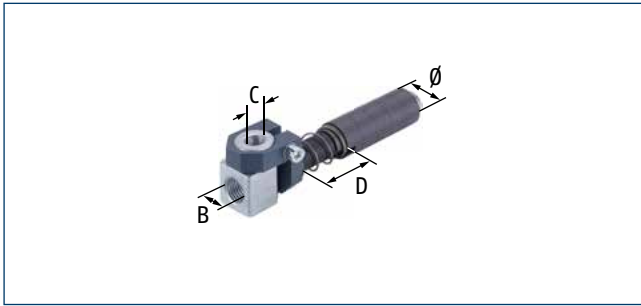
Technical Data

Description	ID	ϕ [mm]	G1	G2	Spring stroke D [mm]	Weight [g]
GGD-10-5-5-10	1403757	10	M5	M5	10	10
GGD-10-5-5-30	1334192	10	M5	M5	30	11
GGD-14-18-18-15	1334196	14	G1/8	G1/8	15	26
GGD-14-18-18-40	1334198	14	G1/8	G1/8	40	29
GGD-20-14-18-20	1334200	20	G1/4	G1/8	20	62
GGD-20-14-18-50	1334206	20	G1/4	G1/8	50	70



Illustration may differ from the original

Spring-actuated Gripper Arm with Anti-twist Protection GGV



- Extremely light (aluminum material)
- Guide (pipe and shaft) with special glide coating and hardened
- Marking grooves on shank every 10 mm for simple adjustment
- All spring-loaded gripper arms must always be aligned 90° to the gripper base plate and towards the ejector stroke

Accessories:

- Suction grippers

Technical Data

Description	ID	Ø [mm]	B	C	Spring stroke D [mm]	Weight [g]
GGV-10-5-5-10	1334244	10	M5	M5	10	20
GGV-10-5-5-30	1334246	10	M5	M5	30	22
GGV-14-18-18-15	1334247	14	G1/8	G1/8	15	44
GGV-14-18-18-40	1334248	14	G1/8	G1/8	40	51
GGV-20-14-18-20	1334249	20	G1/4	G1/8	20	97
GGV-20-14-18-50	1334250	20	G1/4	G1/8	50	107



Illustration may differ from the original

Suction Grippers

Modular Connection Kit Gripping Systems

Suction Gripper SG1 Edge



- Manufactured by simple hardening from a specially developed polyurethane, material combines the elasticity of rubber with the holding force of plastic
- Good elasticity or flexibility, high tensile strength with high wear resistance
- Virtually silicone-free and indent-free
- Scope of delivery incl. adapter and seal
- Suitable for cardboard boxes, packaging materials, plastic plates, metal sheets etc.

Note

- Shore hardness: 60° Shore
- Temperature-resistance: 10 °C to +50 °C
- Flexibility: high
- Wear resistance: very high
- Resistance to oil: very high
- Compatibility with foodstuffs: none

Accessories:

- Gripper arms for suction grippers

Technical Data

Description	ID	Ø [mm]	B [mm]	G	Suitable adapters	Holding force* [N]	Weight [g]
SG1-20-PU-60-18-LC	1338501	22	8.6	G1/8	ASG-202-18	10	4
SG1-30-PU-60-18-LC	1338502	30.8	13.6	G1/8	ASG-202-18	23	5
SG1-40-PU-60-14-LC	1338504	41	20	G1/4	ASG-204-14	37	13
SG1-60-PU-60-38-LC	1338506	62	24.5	G3/8		75	37
SG1-80-PU-60-38-LC	1338510	81.5	27.5	G3/8		180	70

* at vacuum -0.6 bar
Holding force 10 N = 1 kg

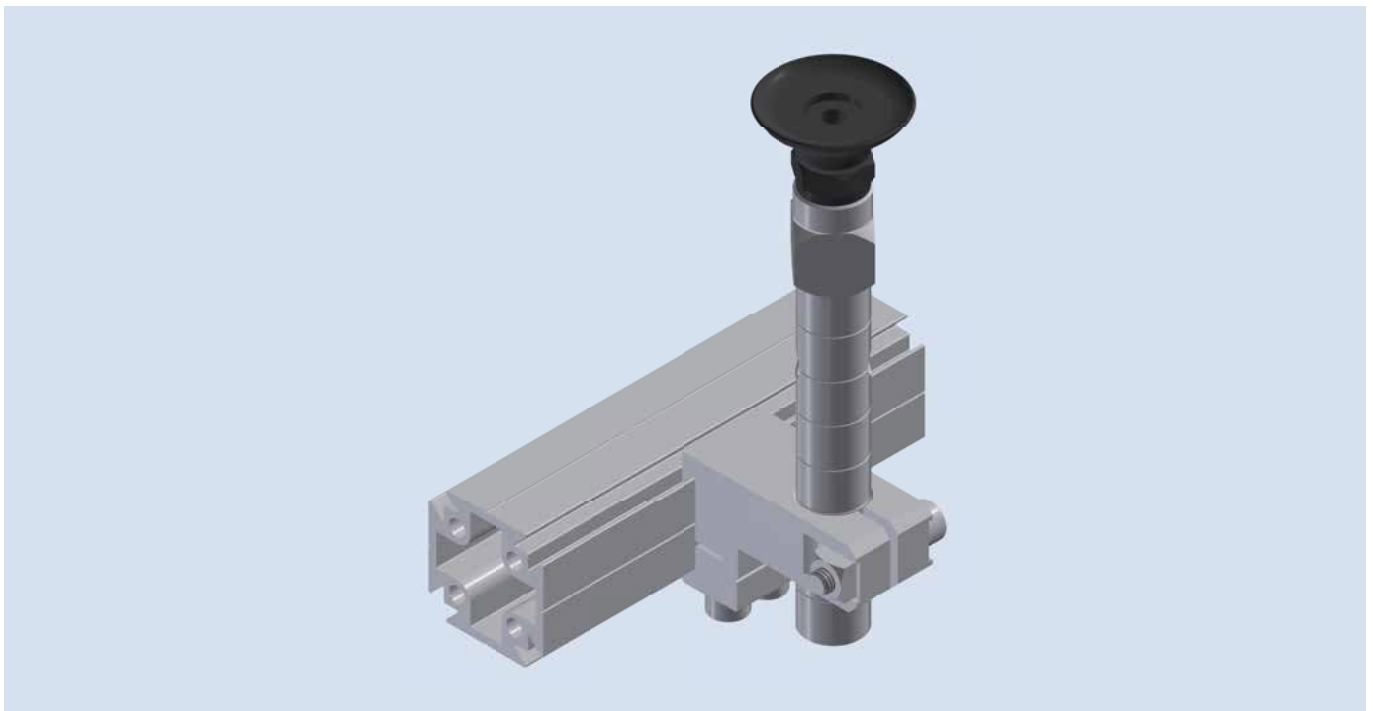


Illustration may differ from the original

Suction Gripper SG2 Edges



- The bellows and lip have differing degrees of hardness. As a result they are strong and stable but also soft and flexible: Body 60° Shore/suction lip 30° Shore
- These suction cups are manufactured from a specially developed polyurethane. This material combines the elasticity of rubber with the holding force of plastic
- Virtually silicone-free and indent-free
- Excellent sealing properties
- Scope of delivery incl. adapter ASG and pneumatics seal
- Suitable for workpieces with bent and uneven surfaces since the suction cup can compensate for height differences and curvatures on the workpiece

Note

- Shore hardness: Lip 30° Shore A, bellows 60° Shore A
- Temperature-resistance: 10 °C to +50 °C
- Flexibility: very high
- Wear resistance: very high
- Resistance to oil: very high
- Compatibility with foodstuffs: none

Accessories:

- Gripper arms for suction grippers

Technical Data

Description	ID	Ø [mm]	B [mm]	G	Stroke [mm]	Suitable adapters	Holding force* [N]	Weight [g]
SG2-10-PU-60-5-LC	1403760	11	22	M5	6	ASG-150-5	2.5	2
SG2-10-PU-60-18-LC	1403761	11	22	G1/8	6	ASG-152-18	2.5	3
SG2-15-PU-30-60-5-LC	1338491	16	24	M5	6	ASG-150-5	3.5	2
SG2-15-PU-30-60-38-LC	1403762	16	24	G1/8	6	ASG-152-18	3.5	3
SG2-20-PU-30-60-18-LC	1338492	21	23	G1/8	9	ASG-202-18	7.0	4
SG2-30-PU-30-60-14-LC	1338493	31.5	24	G1/4	9	ASG-204-14	15	12
SG2-40-PU-30-60-14-LC	1338495	42	29	G1/4	11	ASG-204-14	22	18
SG2-50-PU-30-60-14-LC	1403763	52.5	37	G1/4	12	ASG-205-14	40	32
SG2-50-PU-30-60-38-LC	1338498	52.5	37	G3/8	12	ASG-206-38	40	33
SG2-70-PU-30-60-38-LC	1338500	73	38	G3/8	17		90	62

*at vacuum -0.6 bar
Holding force 10 N = 1 kg



Illustration may differ from the original

Suction Grippers

Modular Connection Kit Gripping Systems

Suction Gripper SG3 Edges



- The bellows and lip have differing degrees of hardness. As a result they are strong and stable but also soft and flexible: Body 60° Shore/suction lip 30° Shore
- These suction cups are manufactured from a specially developed polyurethane. This material combines the elasticity of rubber with the holding force of plastic
- Virtually silicone-free and indent-free
- Excellent sealing properties
- Scope of delivery incl. adapter ASG and pneumatics seal
- Suitable for workpieces with bent and uneven surfaces since the suction cup can compensate for height differences and curvatures on the workpiece

Note

- Shore hardness: Lip 30° Shore A, bellows 60° Shore A
- Temperature-resistance: 10 °C to +50 °C
- Flexibility: very high
- Wear resistance: very high
- Resistance to oil: very high
- Compatibility with foodstuffs: none

Accessories:

- Gripper arms for suction grippers

Technical Data

Description	ID	Ø [mm]	B [mm]	G	Suitable adapters	Stroke [mm]	Holding force* [N]	Weight [g]
SG3-20-PU-30-60-18-LC	1338481	20	18.5	G1/8	ASG-202-18	6	8	4
SG3-25-PU-30-60-18-LC	1338482	25	23.5	G1/8	ASG-202-18	9	9	5
SG3-30-PU-30-60-18-LC	1338484	30	25.3	G1/8	ASG-202-18	11	12	7
SG3-35-PU-30-60-14-LC	1338485	35	31	G1/4	ASG-204-14	13	15	15
SG3-40-PU-30-60-14-LC	1338486	40	34.4	G1/4	ASG-204-14	14	20	17
SG3-50-PU-30-60-14-LC	1403758	50	42.5	G1/4	ASG-205-14	17	40	31
SG3-50-PU-30-60-38-LC	1403759	50	42.5	G3/8	ASG-206-38	17	40	32
SG3-70-PU-30-60-38-LC	1338488	70	49	G3/8		25	100	59

*at vacuum -0.6 bar
Holding force 10 N = 1 kg

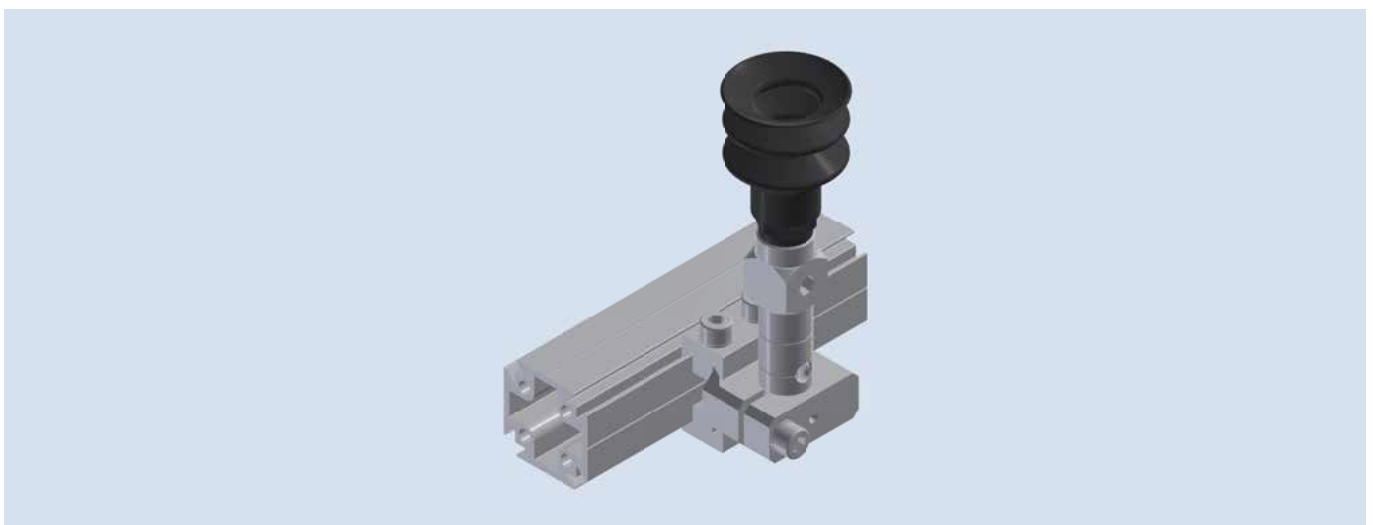
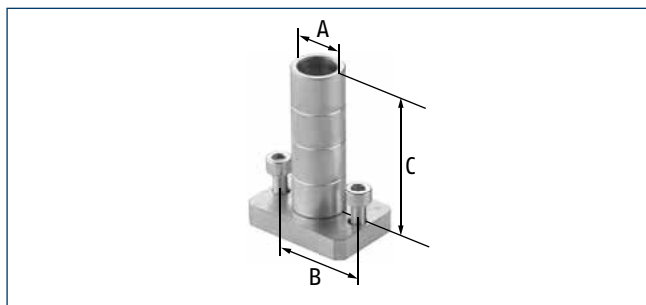


Illustration may differ from the original

Adapter APG for Parallel Gripper MPG-plus



- Particularly stable since it is manufactured from a single piece
- With centerings for parallel grippers
- Marking aid on shank every 10 mm for simple adjustment
- Aluminum material
- Scope of delivery inc. mounting material

Technical Data

Description	ID	A	B [mm]	C	Suitable for	Weight [g]
APG-16-10-30	1404484	10	16	30	MPG-plus 16	9
APG-20-10-30	1404485	10	20	30	MPG-plus 20	10
APG-25-14-40	1404486	14	25	40	MPG-plus 25	16
APG-32-14-40	1404487	14	32	40	MPG-plus 32	23
APG-40-20-50	1404488	20	40	50	MPG-plus 40	40
APG-50-20-50	1404489	20	50	50	MPG-plus 50	50
APG-64-20-50	1404490	20	65	50	MPG-plus 65	70

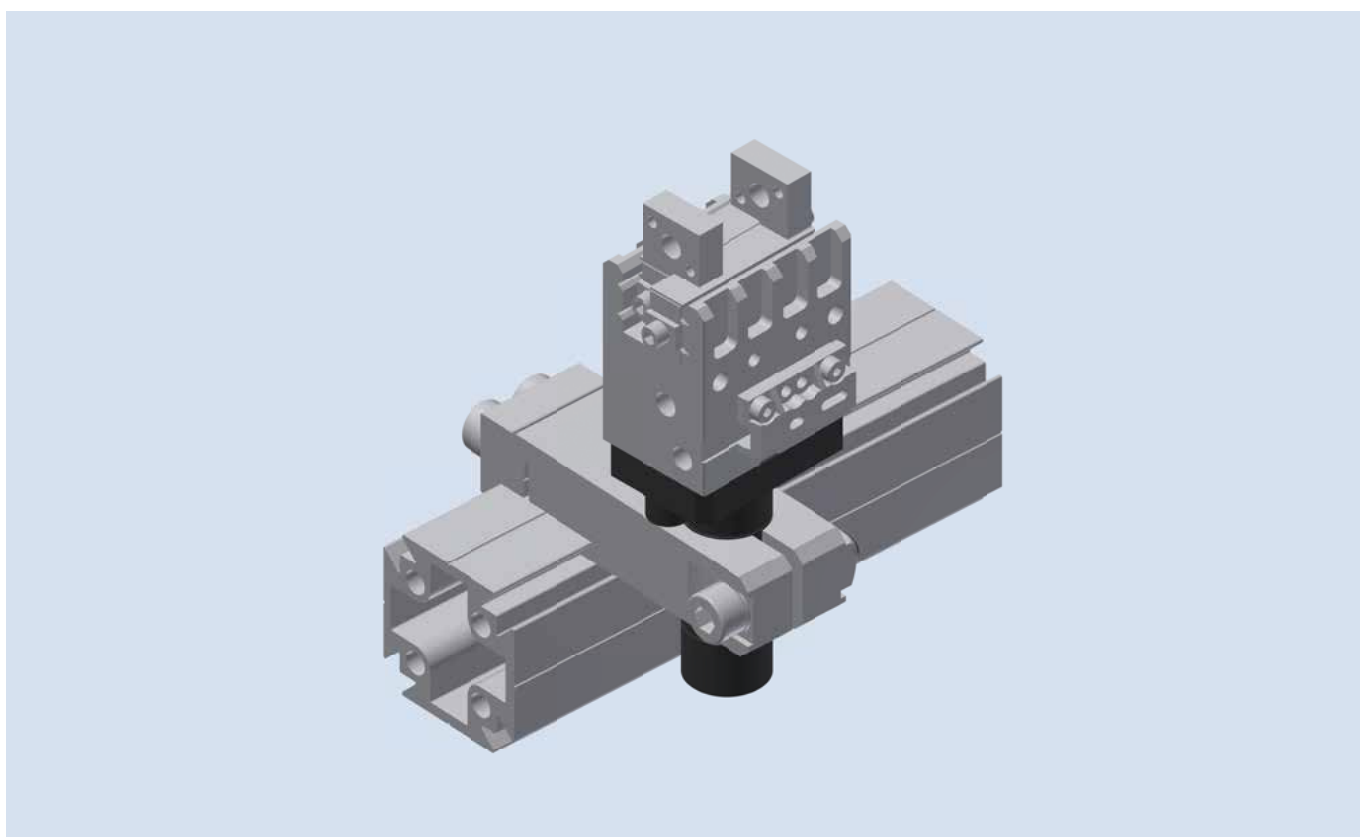
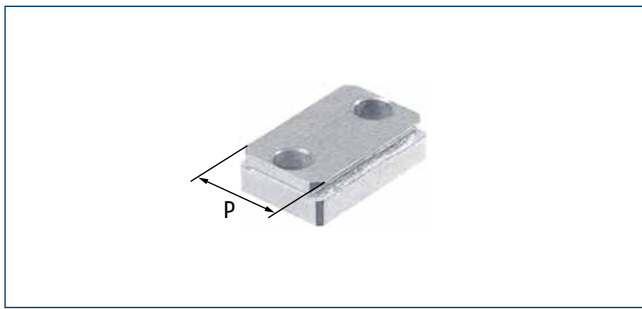


Illustration may differ from the original

Adapters and Retaining Plate for Grippers

Modular Connection Kit Gripping Systems

Adapter APG Prism for Parallel Gripper MPG-plus



- Parallel gripper PAG can be easily integrated into the PreciGrip system
- Maximum accuracy
- Adapted to the centerings of the parallel gripper
- Aluminum material
- Scope of delivery incl. mounting materials

Technical Data

Description	ID	P	Suitable for	Weight [g]
APG-MPG+20-P13	1403766	P13	MPG-plus 20	8
APG-MPG+EGP-25-P13	1403767	P13	MPG-plus 25	11
APG-MPG+32-P22	1399508	P22	MPG-plus 32	22
APG-MPG+EGP-40-P22	1399517	P22	MPG-plus 40	29
APG-MPG+EGP-50-P22	1399555	P22	MPG-plus 50	47
APG-MPG+64-P22	1399557	P22	MPG-plus 64	65

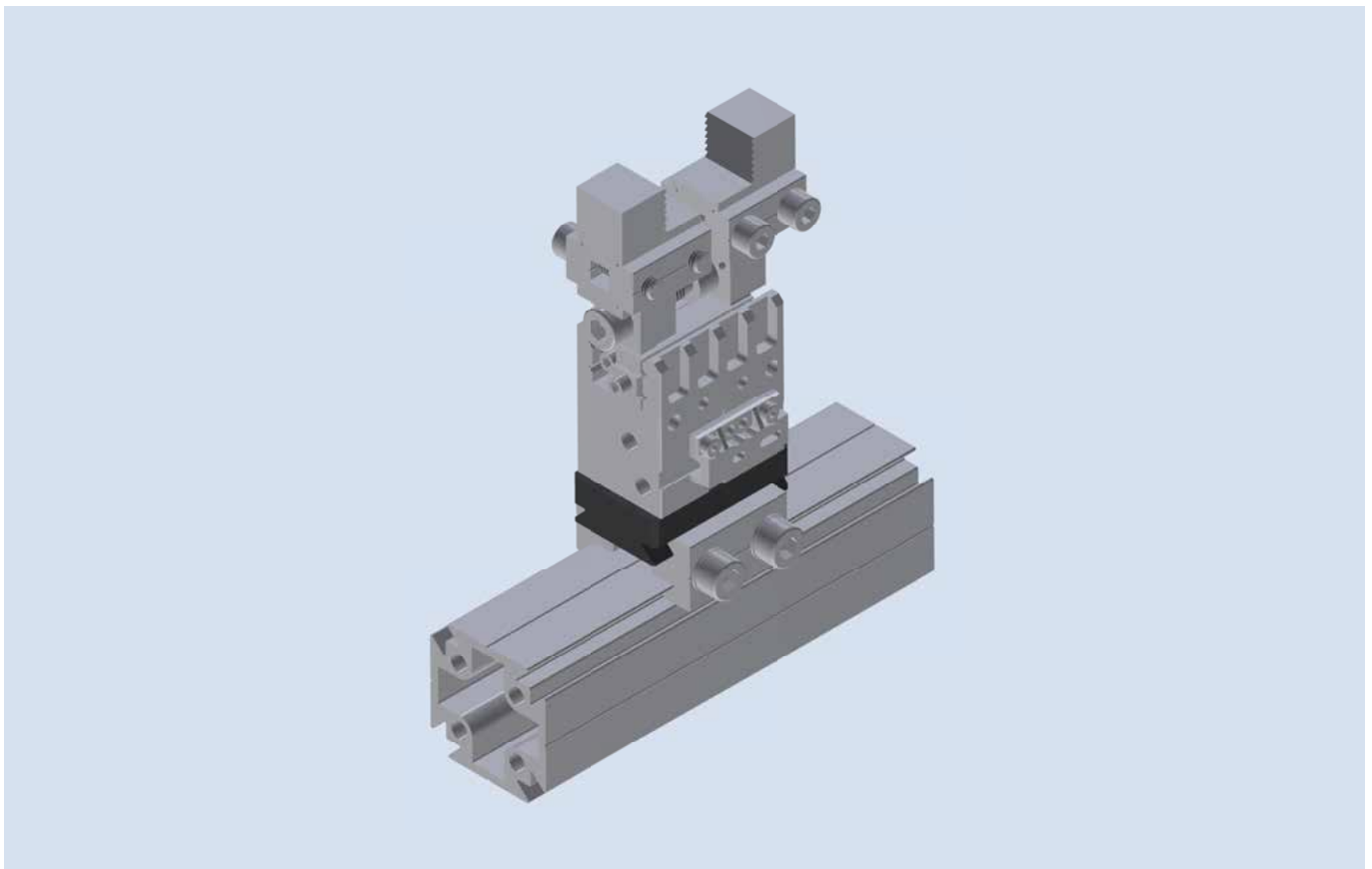


Illustration may differ from the original

Retaining Plate HSP with Prism for Parallel Gripper MPG-plus



- Gripper jaw ABG-P or other PreciGrip products can be easily fastened to the parallel gripper using this.
- Aluminum material
- Shipping unit: 2 pieces
- Scope of delivery incl. mounting material
- Profile Parallel Connector PPV-P
- Outside adapter jaw ABG-P-A with prism for gripping tongs

Technical Data

Description	ID	P	Suitable for	Weight [g]
HSP-16-P13	1334674	P13	MPG-plus 16	
HSP-20-P13	1334676	P13	MPG-plus 20	2.2
HSP-25-P13	1334678	P13	MPG-plus 25	2.2
HSP-32-P13	1334683	P13	MPG-plus 32	2.9
HSP-40-P13	1334684	P13	MPG-plus 40	6.5
HSP-50-P13	1334685	P13	MPG-plus 50	8.2
HSP-64-P13	1334686	P13	MPG-plus 64	13.1

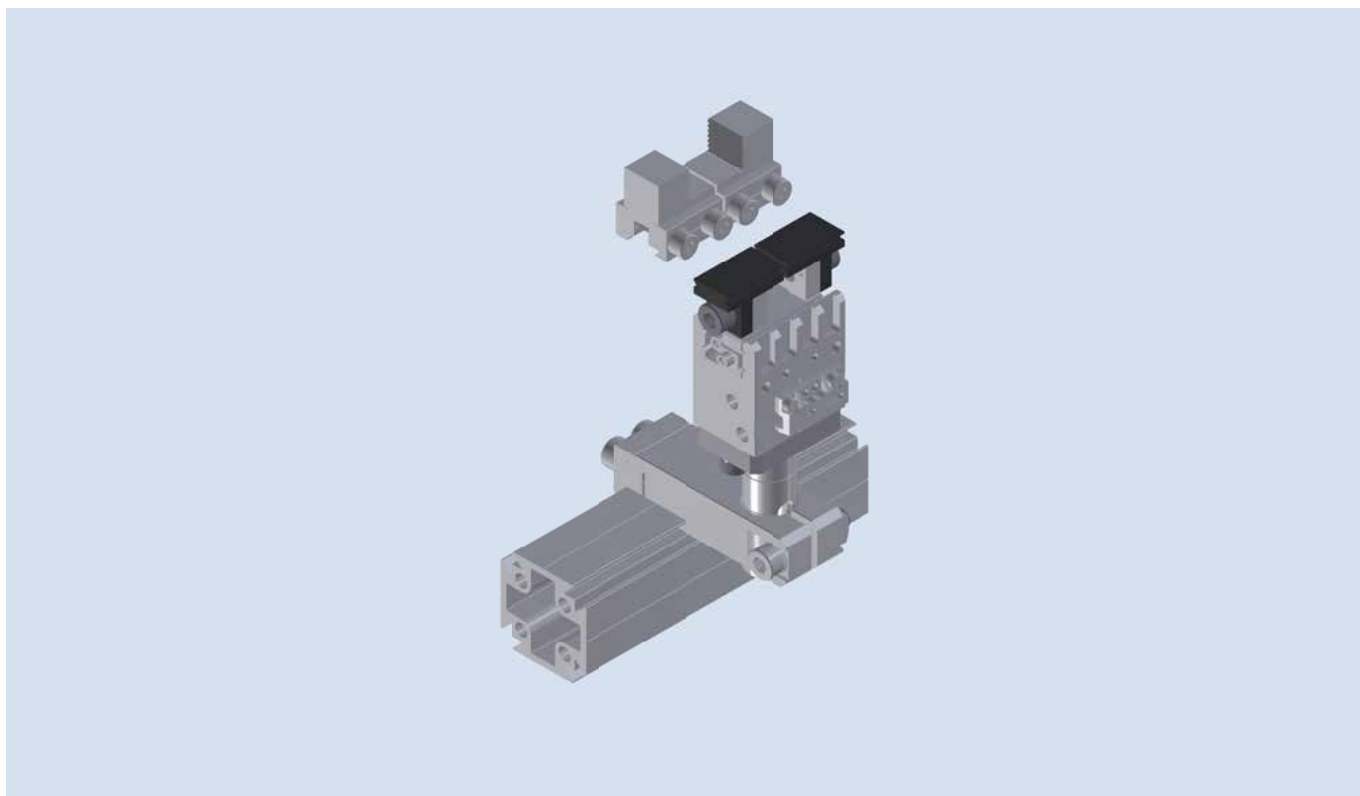
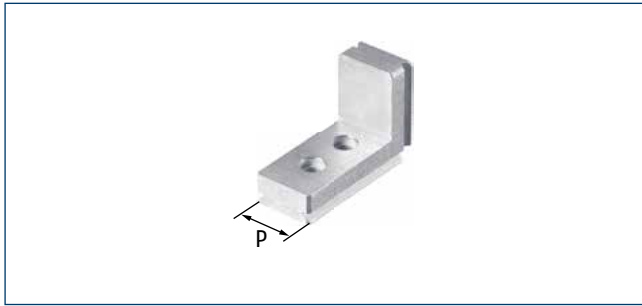


Illustration may differ from the original

Adapters and Retaining Plates for Grippers

Modular Connection Kit Gripping Systems

Retaining Plate HSP for Parallel Gripper JPG



- Gripper jaw ABG-P or other PreciGrip products can be easily fastened to the parallel grippers using this.
- Shipping unit: 2 pieces
- Scope of delivery incl. mounting material

Technical Data

Description	ID	P	Suitable for
HSP-JGP-40-P13	1403823	P13	JGP-40
HSP-JGP-50-P13	1403825	P13	JGP-50
HSP-JGP-64-P22	1399229	P22	JGP-64
HSP-JGP-80-P22	1399368	P22	JGP-80
HSP-JGP-100-P22	1399387	P22	JGP-100
HSP-JGP-125-P22	1399400	P22	JGP-125
HSP-JGP-160-P22	1403828	P22	JGP-160
HSP-JGP-200-P22	1334737	P22	JGP-200
HSP-JGP-240-P22	1334739	P22	JGP-240
HSP-JGP-300-P22	1403830	P22	JGP-300

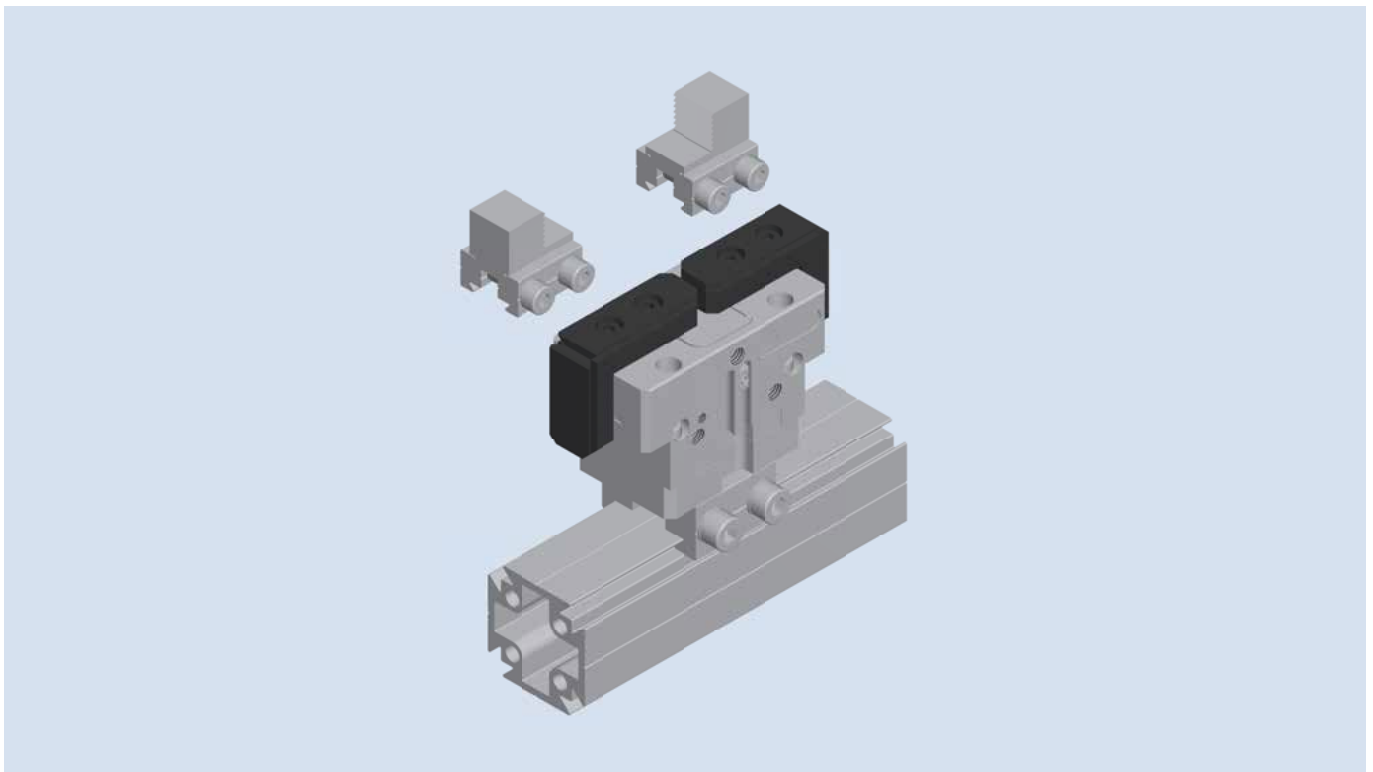
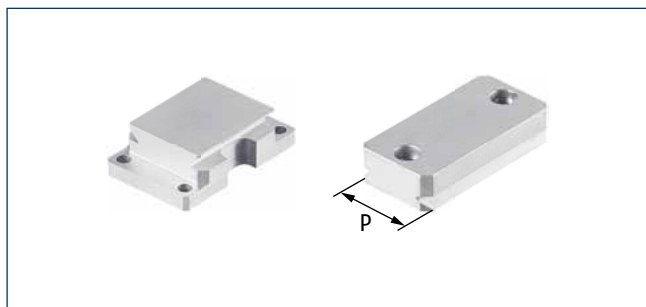


Illustration may differ from the original

Adapter Plate ADA for Parallel Gripper JGP and PGN-plus



- With fitting bore used as a centering aid
- With centerings for parallel grippers
- Scope of delivery incl. mounting material

Technical Data

Description	ID	P	B [mm]	C [mm]	Suitable for
ADA-JGP-PGN-40-P22-0	1403768	P22	24	45	JGP-40 and PGN-plus 40
ADA-JGP-PGN-50-P22-0	1403769	P22	30	57	JGP-50 and PGN-plus 50
ADA-JGP-PGN-64-P22-0	1399227	P22	36	70	JGP-64 and PGN-plus 64
ADA-JGP-PGN-80-P22-0	1399356	P22	42	87	JGP-80 and PGN-plus 80
ADA-JGP-PGN-100-P22-0	1403770	P22	50	105	JGP-100 and PGN-plus 100
ADA-JGP-PGN-125-P22-0	1399394	P22	60	130	JGP-125 and PGN-plus 125
ADA-JGP-PGN-125-P22-90	1403771	P22	60	130	JGP-125 and PGN-plus 125
ADA-JGP-PGN-160-P22-0	1399372	P22	72	162.5	JGP-160 and PGN-plus 160
ADA-JGP-PGN-160-P22-90	1403772	P22	72	162.5	JGP-160 and PGN-plus 160

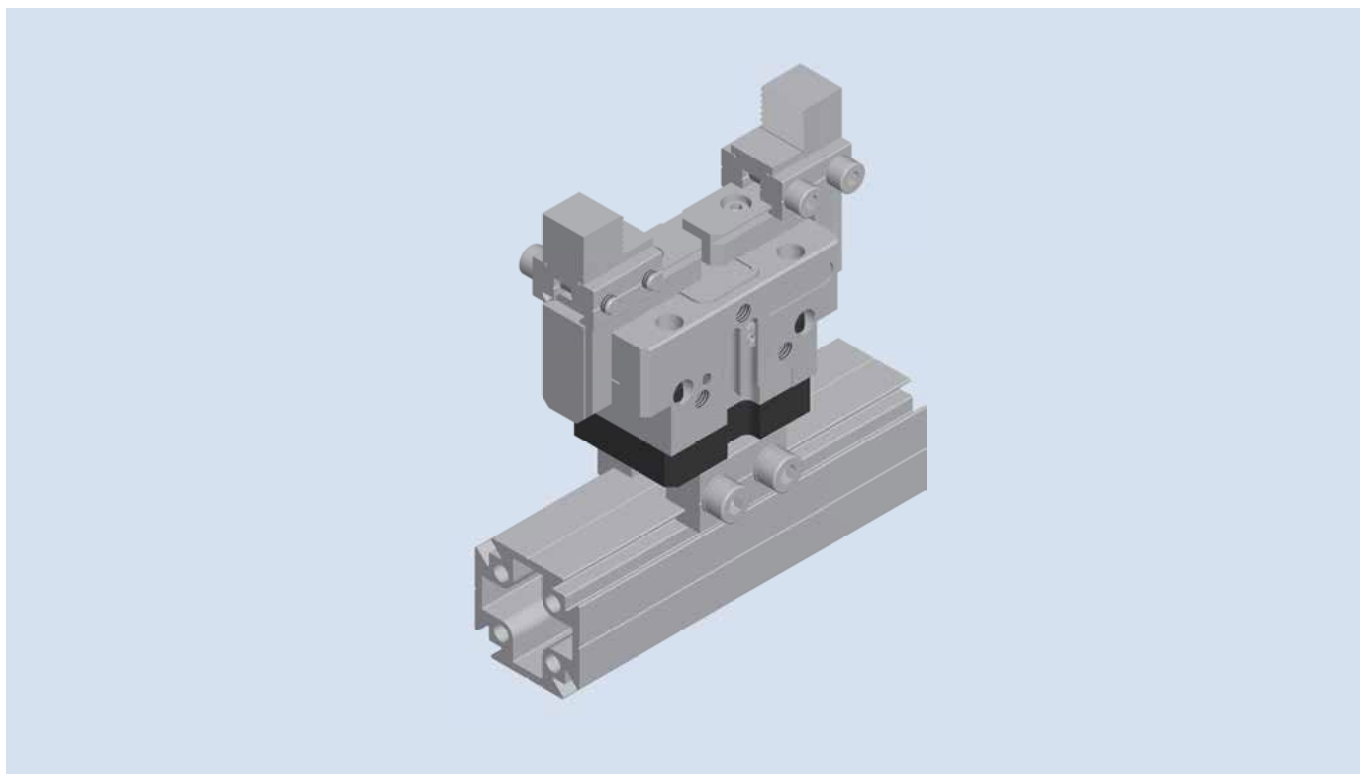
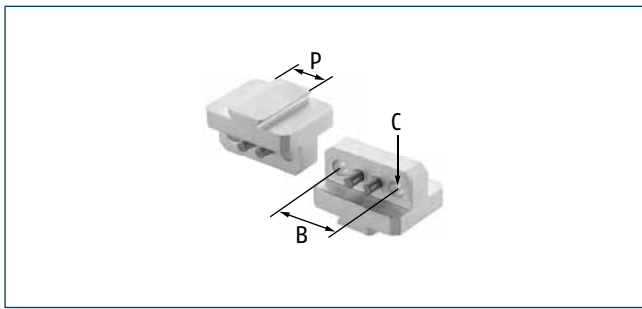


Illustration may differ from the original

Adapters and Retaining Plate for Grippers

Modular Connection Kit Gripping Systems

Retaining Plate HSP-MPC-P for Parallel Gripper MPC



- Gripper jaw ABG-P or other PreciGrip products can be easily fastened on the parallel gripper MPC using this.
- Scope of delivery incl. mounting material

Technical Data

Description	ID	P	B [mm]	C \varnothing [mm]	Suitable for
HSP-MPC-025-P13	1403831	P13	13	2.9	MPC-025
HSP-MPC-040-075-P13	1403832	P13	18	4.5	MPC-040 and MPC-075
HSP-MPC-100-P13	1403833	P13	22	5.5	MPC-100

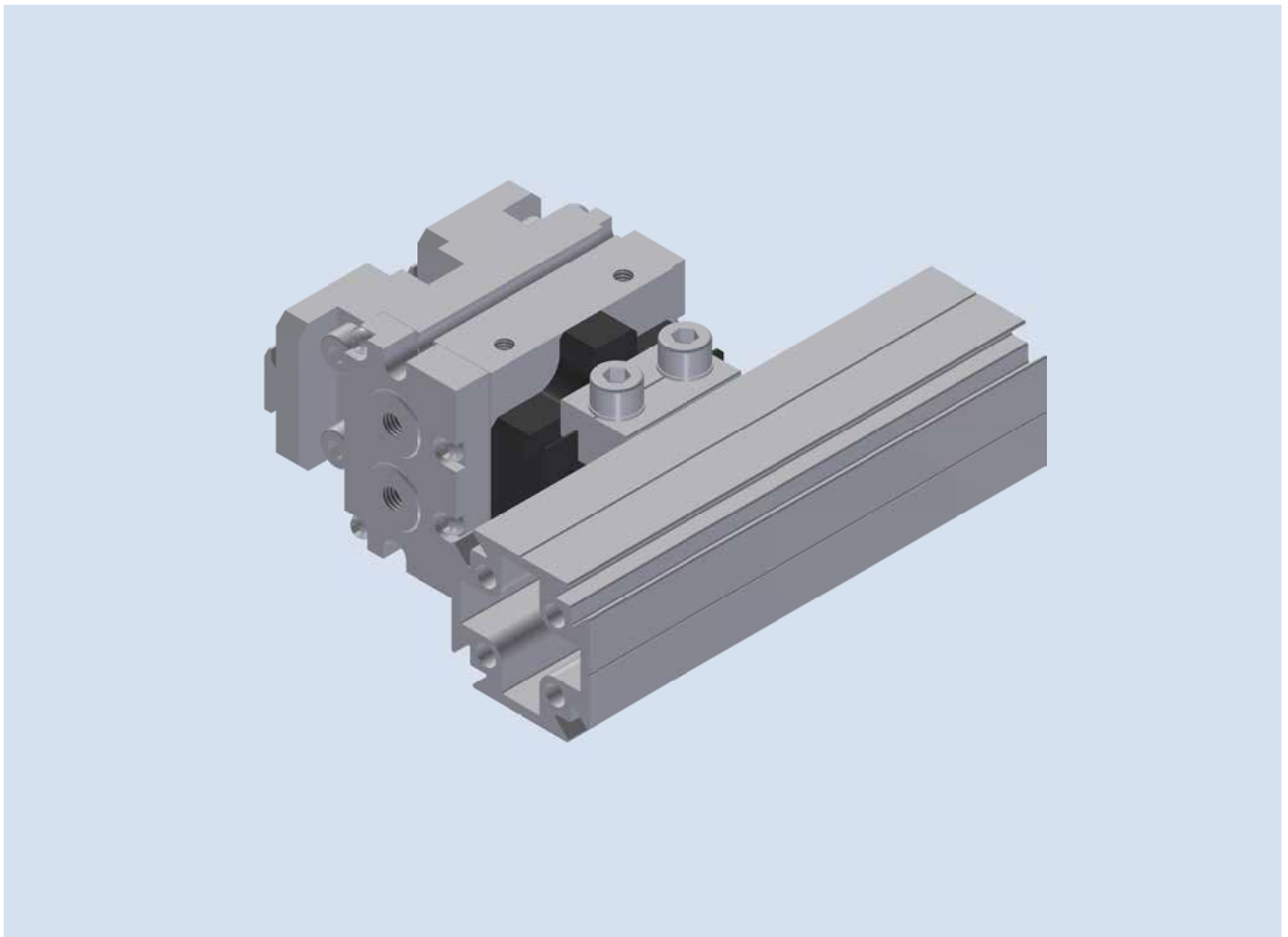


Illustration may differ from the original

Retaining Plate HSP for Parallel Gripper KGG



- Gripper jaw ABG-P or other PreciGrip products can be easily fastened to the parallel grippers KGG using this.
- Shipping unit: 2 pieces
- Scope of delivery incl. mounting material

Technical Data

Description	ID	P	Suitable for
HSP-KGG-60-P13	1334742	P13	KGG-60
HSP-KGG-70-P13	1334746	P13	KGG-70
HSP-KGG-80-P13	1334748	P13	KGG-80
HSP-KGG-100-P13	1334749	P13	KGG-100
HSP-KGG-140-P22	1334750	P22	KGG-140
HSP-KGG-220-P22	1334752	P22	KGG-220
HSP-KGG-280-P22	1334754	P22	KGG-280

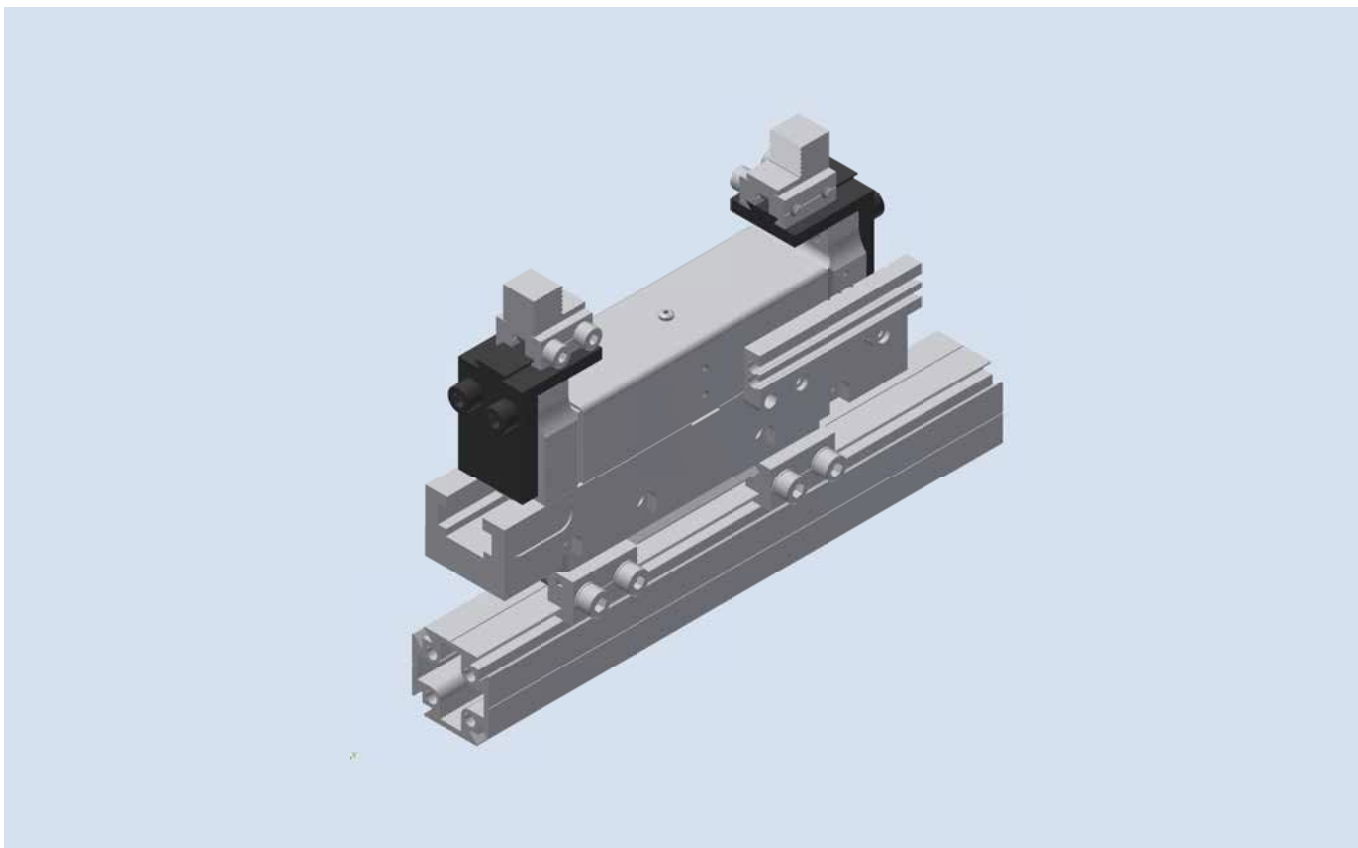
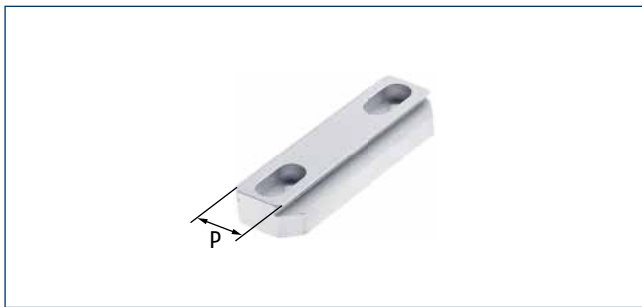


Illustration may differ from the original

Adapters and Retaining Plate for Grippers

Modular Connection Kit Gripping Systems

Adapter Plate ADA for Parallel Gripper KGG



- With centerings for parallel grippers
- Scope of delivery incl. mounting material

Technical Data

Description	ID	P	Suitable for
ADA-KGG-60-70-P13	1403773	P13	KGG-60-70
ADA-KGG-80-P22	1399494	P22	KGG-80
ADA-KGG-100-140-P22	1403774	P22	KGG-100-140
ADA-KGG-220-P22	1403775	P22	KGG-220

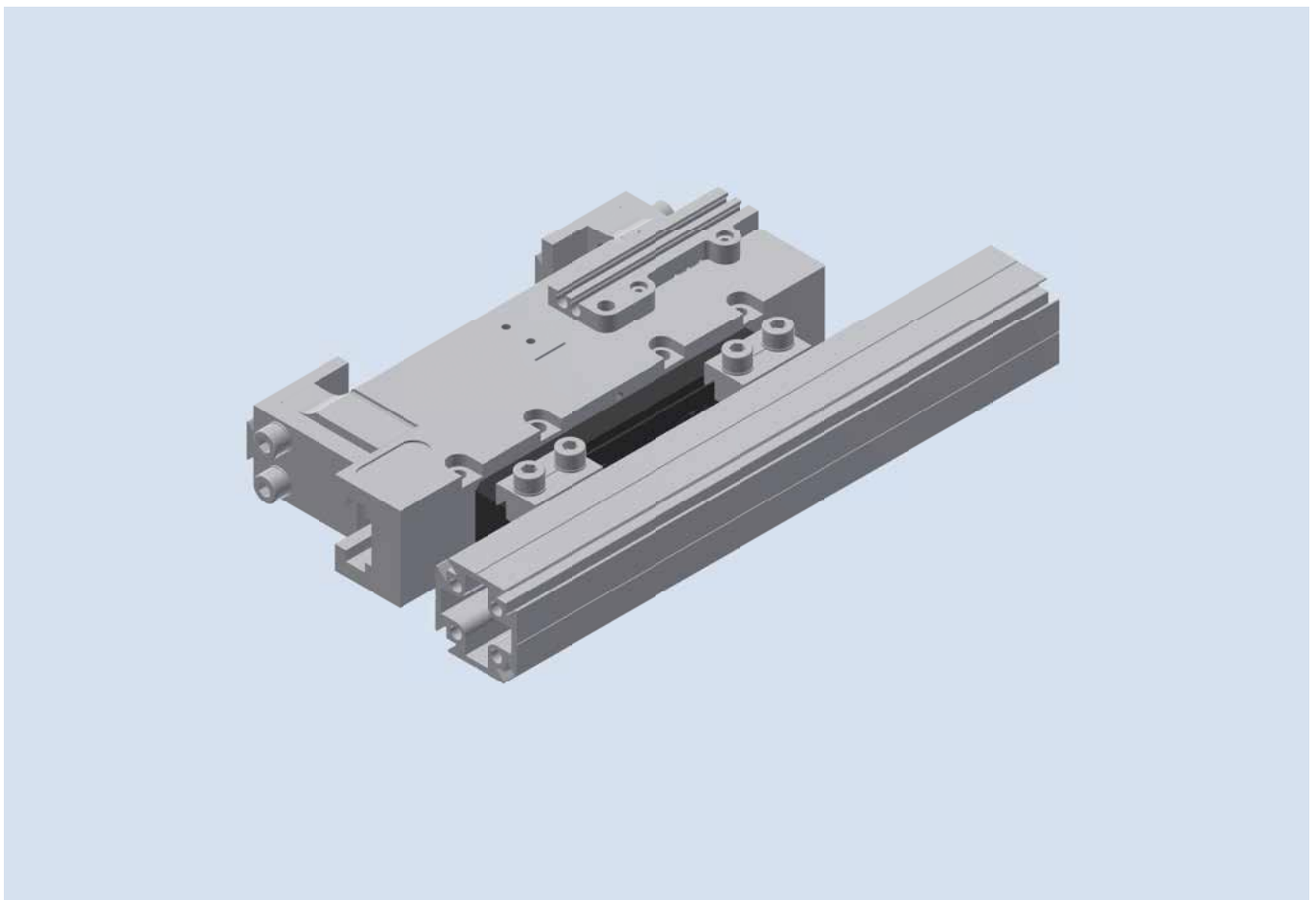


Illustration may differ from the original

Retaining Plate HSP for Centric Gripper JGZ



- Gripper jaw ABG-P or other PreciGrip products can be easily fastened to the parallel grippers JGZ using this.
- Shipping unit: 3 pieces
- Scope of delivery incl. mounting material

Technical Data

Description	ID	P	Suitable for
HSP-JGZ-40-P13	1403824	P13	JGZ-40
HSP-JGZ-50-P13	1403826	P13	JGZ-50
HSP-JGZ-64-P22	1399449	P22	JGZ-64
HSP-JGZ-80-P22	1399477	P22	JGZ-80
HSP-JGZ-100-P22	1399488	P22	JGZ-100
HSP-JGZ-125-P22	1403827	P22	JGZ-125
HSP-JGZ-160-P22	1403829	P22	JGZ-160

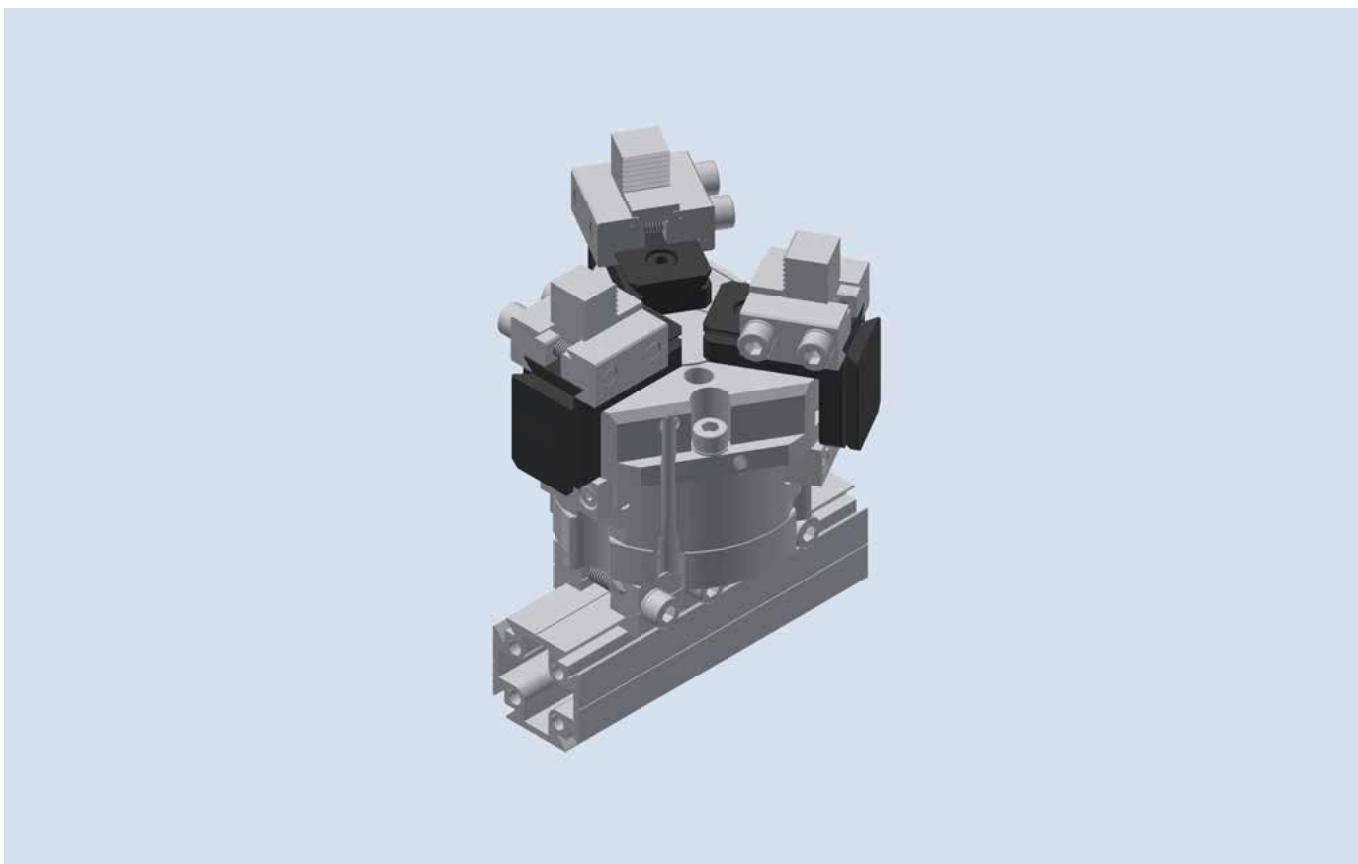
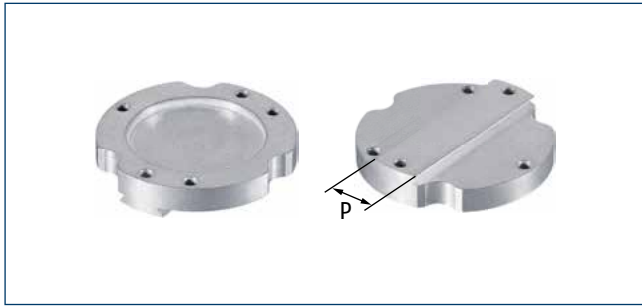


Illustration may differ from the original

Adapters and Retaining Plate for Grippers

Modular Connection Kit Gripping Systems

Adapter Plate ADA for Centric Grippers JGZ, PZN-plus, and DPZ



- With centerings for JGZ, PZN, and DPZ
- Scope of delivery incl. mounting material

Technical Data

Description	ID	P	Suitable for
ADA-JGZ-PZN-DPZ-40-1-P22	1403783	P22	JGZ-40, PZN-plus 40, and DPZ-40
ADA-JGZ-PZN-DPZ-50-1-P22	1403784	P22	JGZ-50, PZN-plus 50, and DPZ-50
ADA-JGZ-PZN-DPZ-64-1-P22	1353850	P22	JGZ-64, PZN-plus 64, and DPZ-64
ADA-JGZ-PZN-DPZ-80-1-P22	1399452	P22	JGZ-80, PZN-plus 80, and DPZ-80
ADA-JGZ-PZN-DPZ-100-1-P22	1399481	P22	JGZ-100, PZN-plus 100, and DPZ-100
ADA-JGZ-PZN-DPZ-125-1-P22	1403785	P22	JGZ-125, PZN-plus 125, and DPZ-125
ADA-JGZ-PZN-DPZ-160-1-P22	1403786	P22	JGZ-160, PZN-plus 160, and DPZ-160

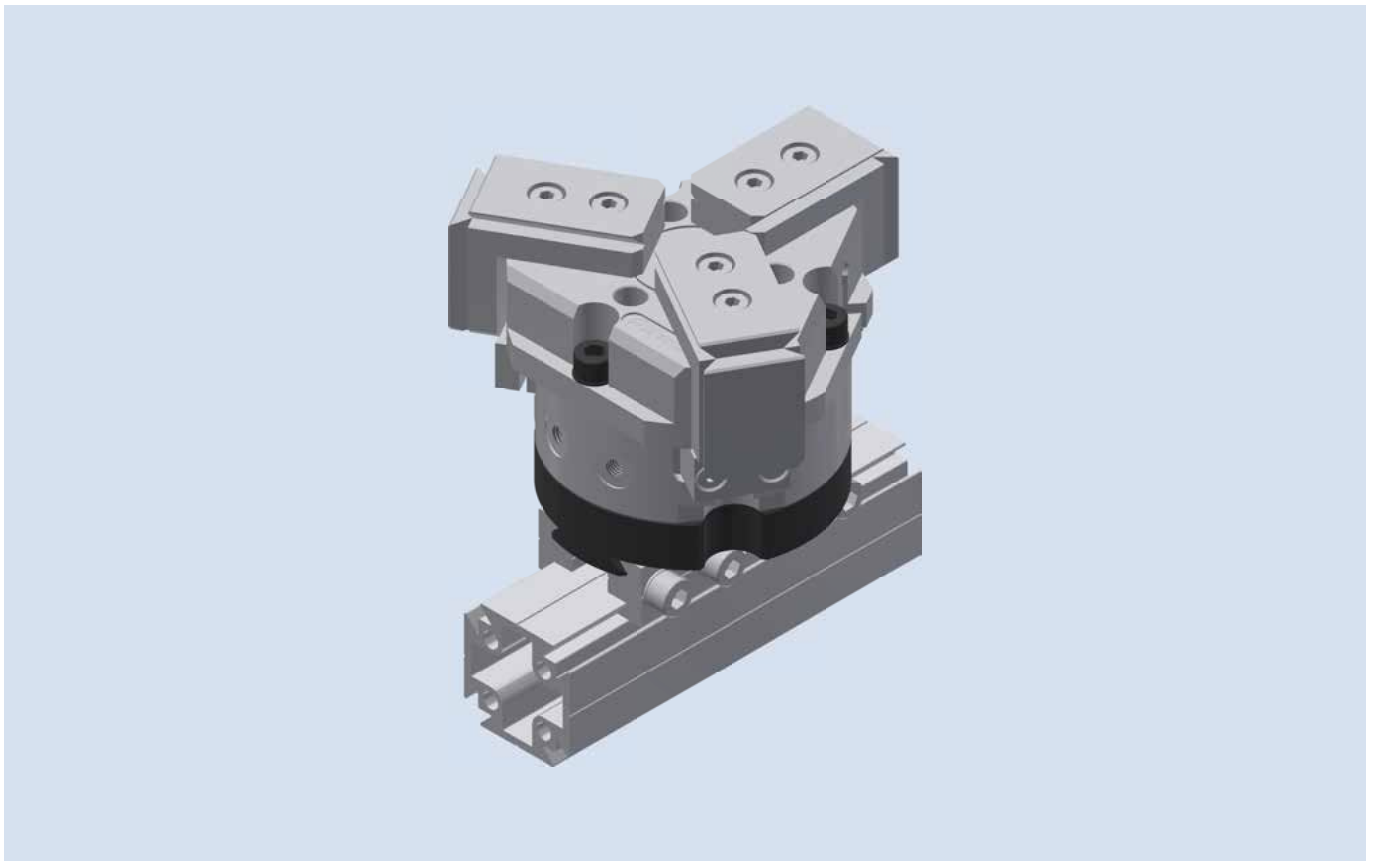
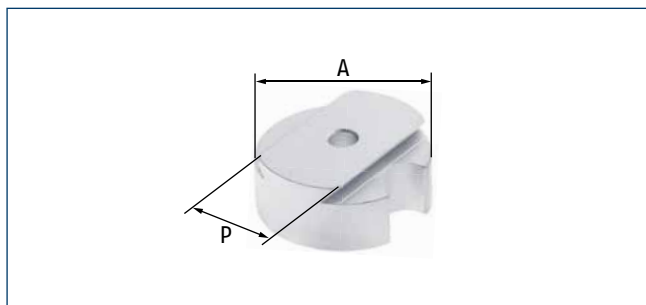


Illustration may differ from the original

Adapter Plate ADA for Centric Gripper MPZ



- With centerings for 3-finger gripper
- Can be rotated by 360°
- Scope of delivery incl. mounting material
- Can only be used with teachable sensor ZYS-TE-3.8-3-600-S

Technical Data

Description	ID	A	P	Suitable for
ADA-MPZ-16-P13	1403777	16	P13	MPZ-16
ADA-MPZ-20-P13	1403778	20	P13	MPZ-20
ADA-MPZ-25-P13	1403779	25	P13	MPZ-25
ADA-MPZ-30-P13	1403780	30	P13	MPZ-30
ADA-MPZ-38-P22	1403781	38	P22	MPZ-38
ADA-MPZ-45-P22	1403782	45	P22	MPZ-45

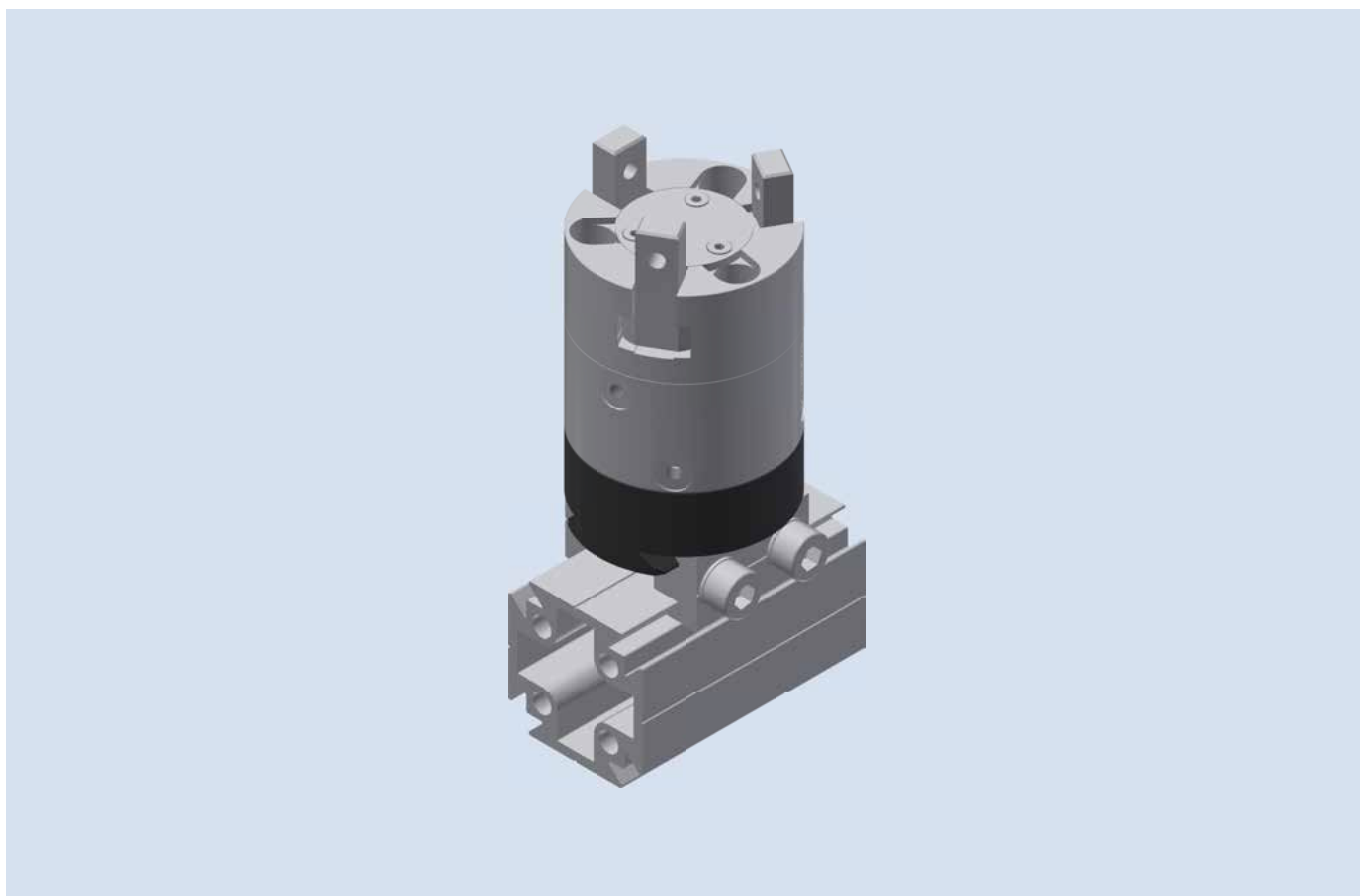
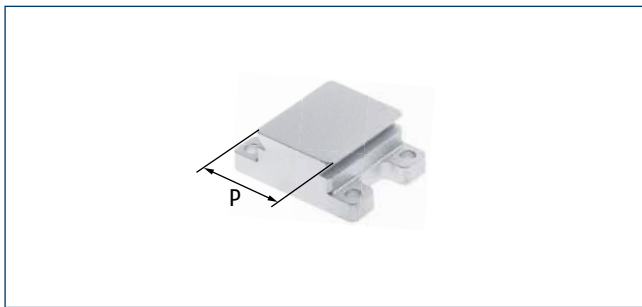


Illustration may differ from the original

Adapters and Retaining Plate for Grippers

Modular Connection Kit Gripping Systems

Adapter Plate ADA for Angular Gripper SWG



- With centerings for angular gripper SWG 15° per jaw
- Scope of delivery incl. mounting material

Technical Data

Description	ID	P	Suitable for
ADA-SWG-10-P13	1403787	P13	SWG-10
ADA-SWG-12-P13	1403788	P13	SWG-12
ADA-SWG-16-P13	1403789	P13	SWG-16
ADA-SWG-20-P13	1403790	P13	SWG-20
ADA-SWG-25-P22	1403791	P22	SWG-25
ADA-SWG-32-P22	1403792	P22	SWG-32
ADA-SWG-40-P22	1403793	P22	SWG-40
ADA-SWG-50-P22	1403794	P22	SWG-50

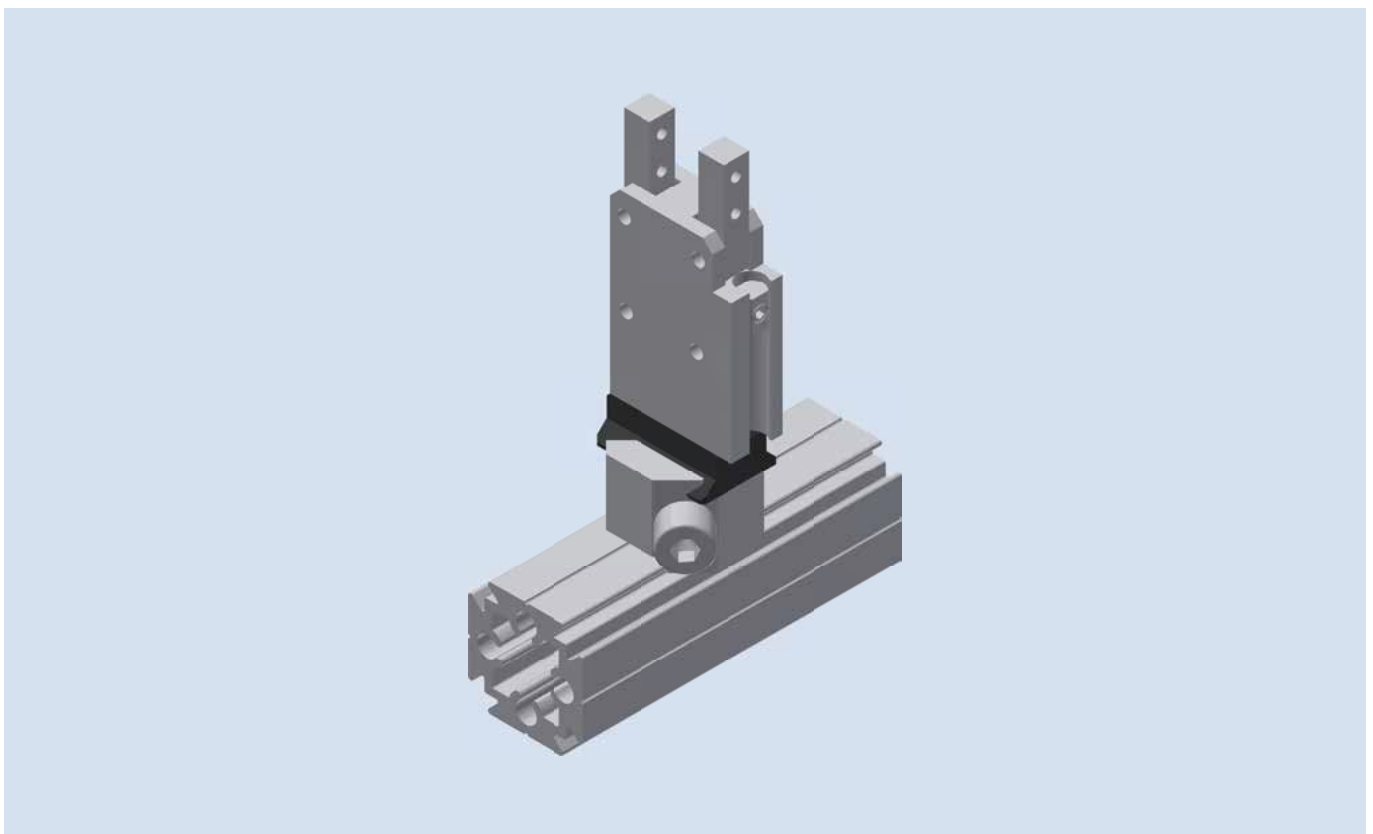
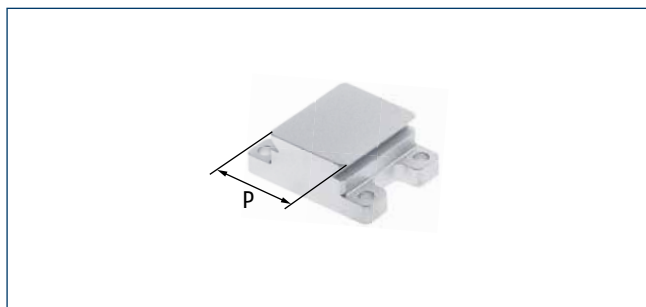


Illustration may differ from the original

Adapter Plate ADA for Radial Gripper PRG



- With fitting bore used as a centering aid
- With centerings for radial gripper PRG 90° per jaw
- Scope of delivery incl. mounting material

Technical Data

Description	ID	P	B [mm]	C [mm]	D [°]	Suitable for
ADA-PRG-26-90-P13-0	1403795	P13	22	26	0	PRG-26-90
ADA-PRG-34-90-P22-0	1403796	P22	26	34	0	PRG-34-90
ADA-PRG-42-90-P22-0	1403797	P22	30	42	0	PRG-42-90
ADA-PRG-52-90-P22-0	1403798	P22	36	52	0	PRG-52-90
ADA-PRG-64-90-P22-0	1403799	P22	42	64	0	PRG-64-90
ADA-PRG-80-90-P22-0	1403780	P22	50	80	0	PRG-80-90
ADA-PRG-100-90-P22-0	1403781	P22	60	100	0	PRG-100-90
ADA-PRG-125-90-P22-0	1403782	P22	72	125	0	PRG-125-90
ADA-PRG-125-90-P22-90	1403783	P22	72	125	90	PRG-125-90

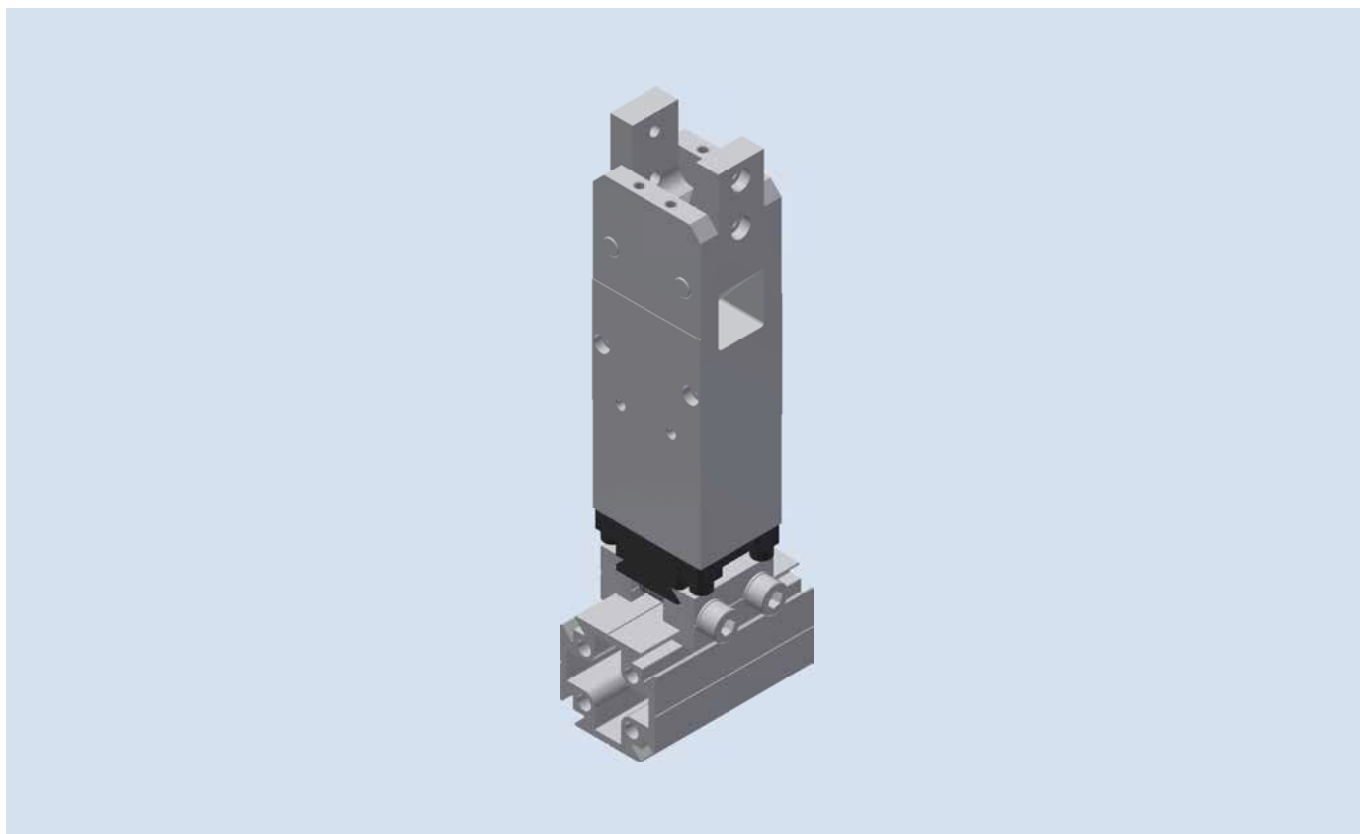
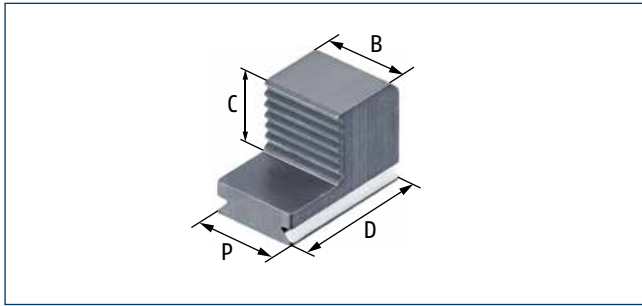


Illustration may differ from the original

Adapters and Retaining Plate for Grippers

Modular Connection Kit Gripping Systems

Adapter Jaw ABG



- Simple manufacturing of individual gripper jaws for parallel grippers
- Version A for O.D. grippers
- Version i for I.D. grippers
- Aluminum material
- Shipping unit 2 pieces
- Scope of delivery incl. mounting material

Technical Data

Description	ID	P	B [mm]	C [mm]	D [mm]	Weight [g]
ABG-P13-A	1403764	P13	12	10	20	6
ABG-P13-I	1403765	P13	12	14.5	25	6

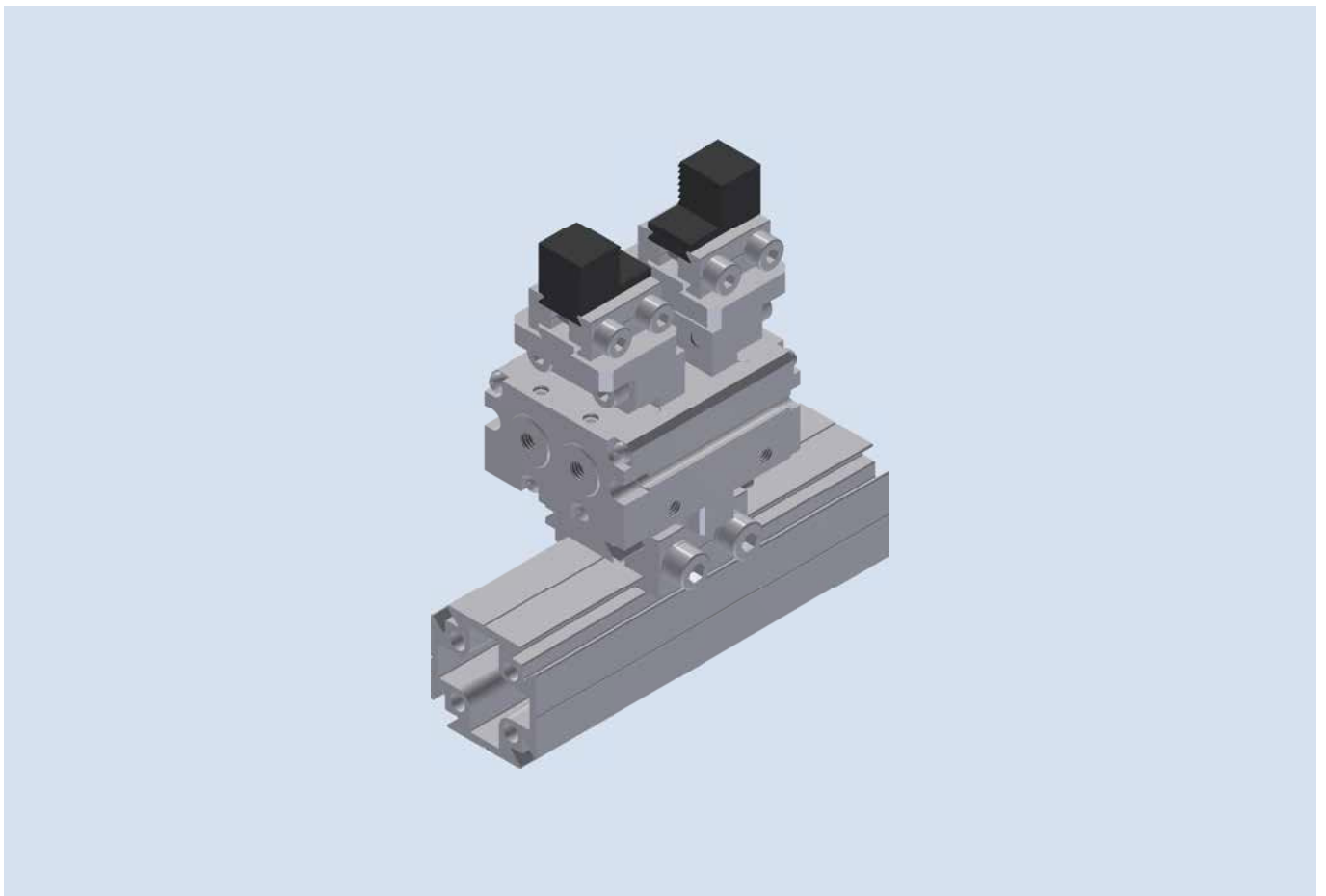
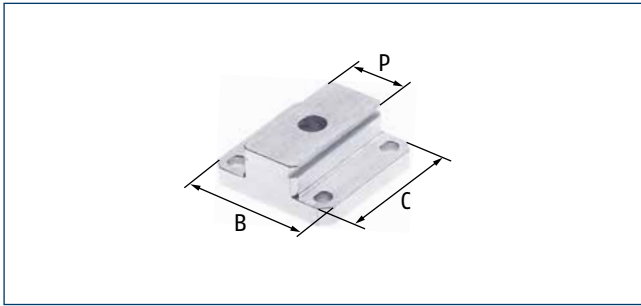


Illustration may differ from the original

Adapter Plate ADA for Vane Swivel Unit SFL



- With fitting bore used as a centering aid
- With centerings for vane swivel unit SFL
- Scope of delivery incl. mounting material

Technical Data

Description	ID	P	B [mm]	C [mm]	Suitable for
ADA-SFL-25-180-P13	1403804	P13	25	25	SFL-25-180
ADA-SFL-40-180-P22	1403805	P22	40	40	SFL-40-180
ADA-SFL-64-180-P22	1403806	P22	64	64	SFL-64-180

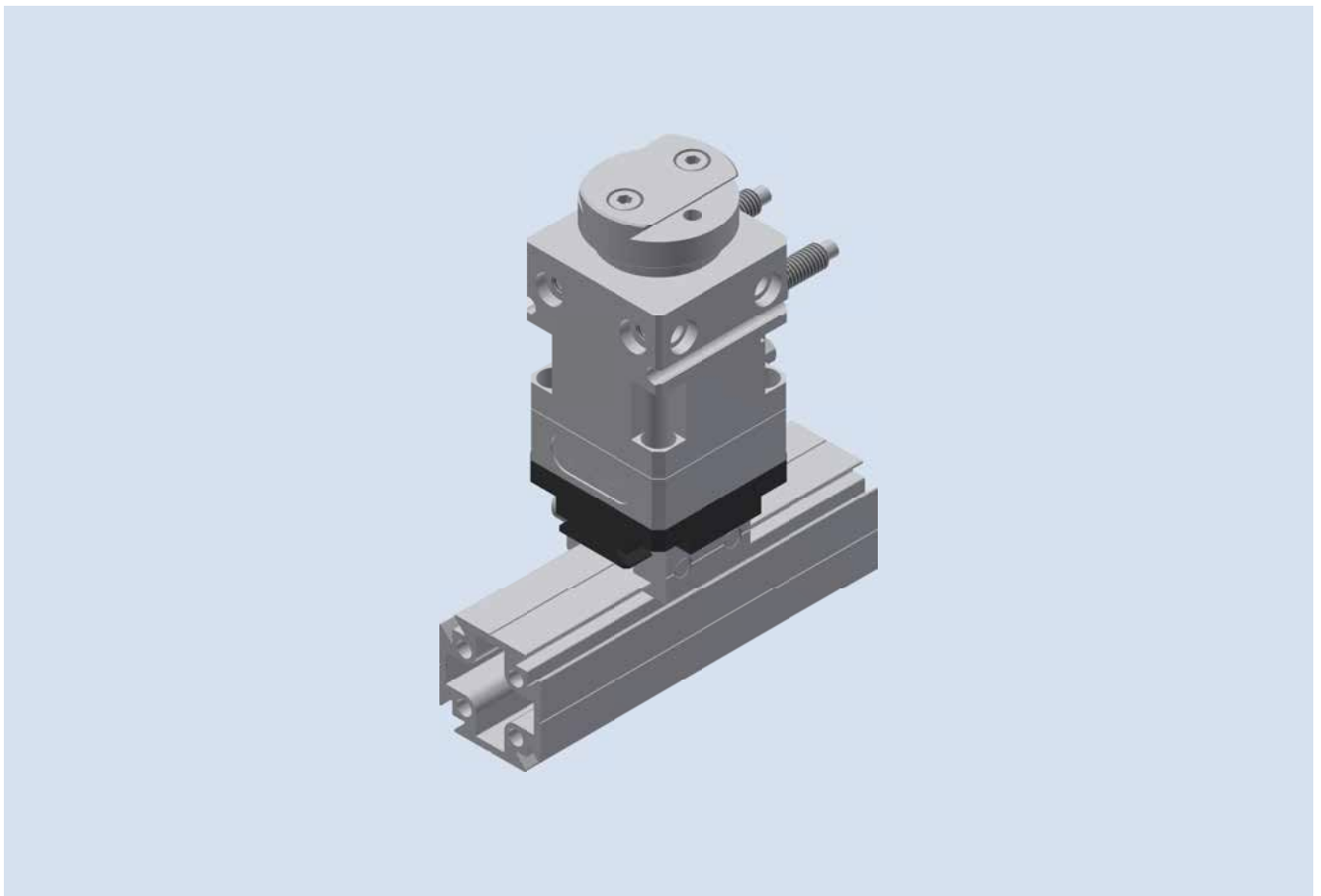


Illustration may differ from the original

Adapters for Rotary Units

Modular Connection Kit Gripping Systems

Head Plate KOP for Vane Swivel Unit SFL



- With centerings for vane swivel unit SFL
- Scope of delivery incl. mounting material

Technical Data

Description	ID	P	Suitable for
KOP-SFL-25-180-P13	1403807	P13	SFL-25
KOP-SFL-40-180-P22	1403808	P22	SFL-40
KOP-SFL-64-180-P22	1403809	P22	SFL-64

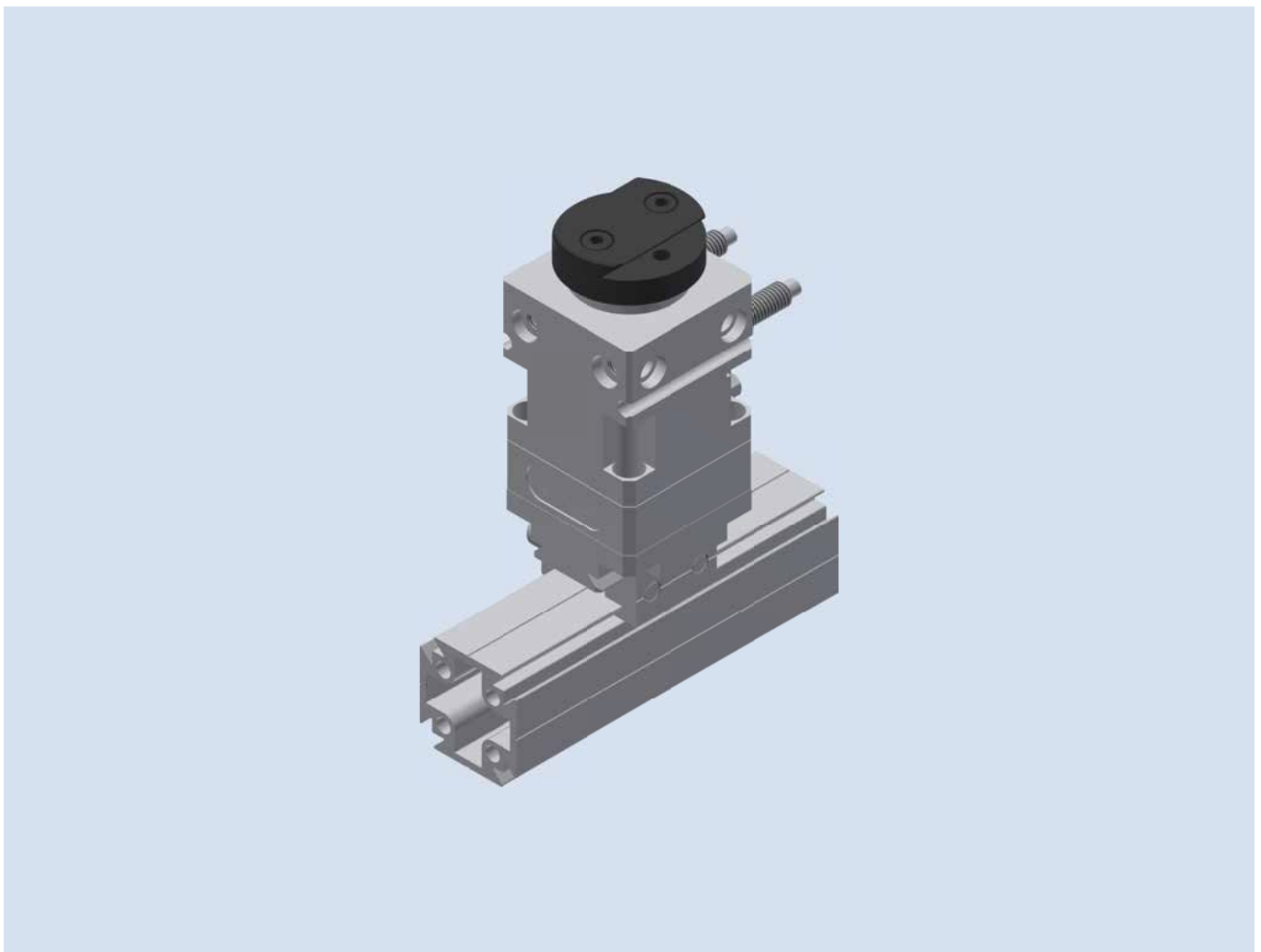
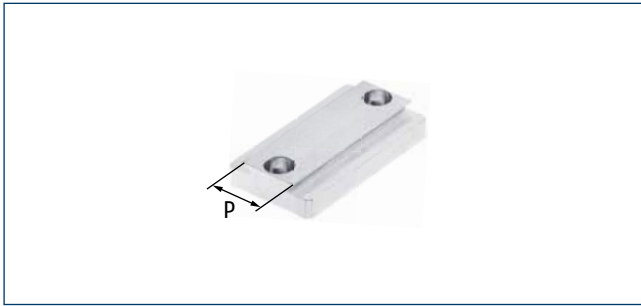


Illustration may differ from the original

Adapter Plate ADA for Universal Swivel Unit SRU-plus



- With centerings for universal swivel unit SRU-plus
- Scope of delivery incl. mounting material

Technical Data

Description	ID	P	Suitable for
ADA-SRU-plus-20-25-30-35-P22	1403810	P22	SRU-plus 20-25-30-35
ADA-SRU-plus-40-P22	1403811	P22	SRU-plus 40
ADA-SRU-plus-50-P22	1403813	P22	SRU-plus 50
ADA-SRU-plus-60-P22	1403814	P22	SRU-plus 60

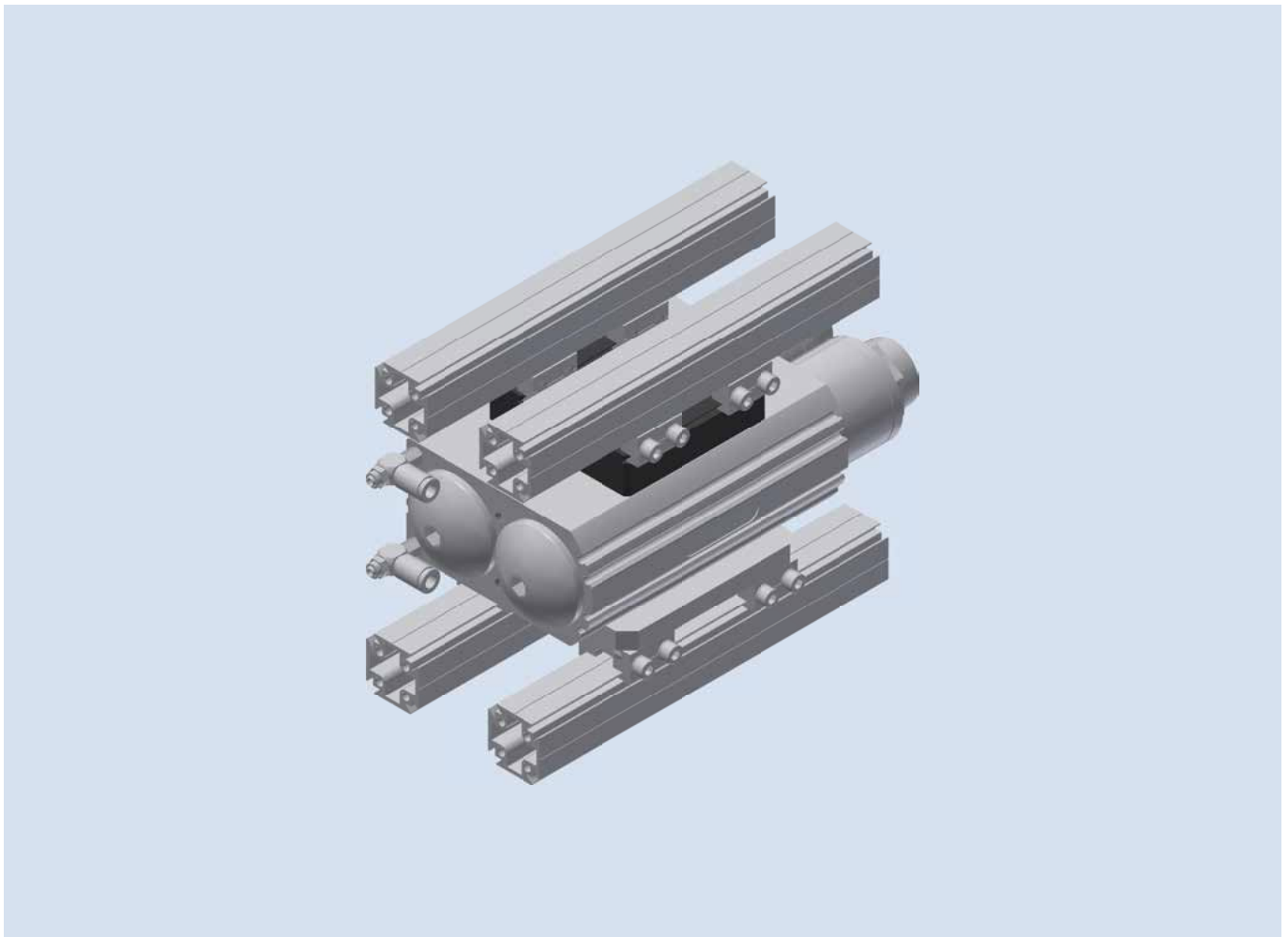
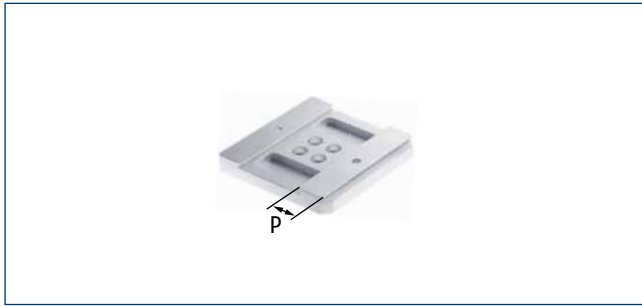


Illustration may differ from the original

Adapters for Rotary Units

Modular Connection Kit Gripping Systems

Head Plate KOP for Universal Swivel Unit SRU-plus



- With fitting bore used as a centering aid
- With centerings for universal swivel unit SRU-plus
- Scope of delivery incl. mounting material

Technical Data

Description	ID	P	Suitable for
KOP-SRU-plus-20-P22-1	1403814	P22	SRU-plus 20
KOP-SRU-plus-25-30-P22-2	1403815	P22	SRU-plus 25-30
KOP-SRU-plus-35-P22-2	1403816	P22	SRU-plus 35
KOP-SRU-plus-40-P22-2	1403817	P22	SRU-plus 40
KOP-SRU-plus-50-60-P22-2	1403818	P22	SRU-plus 50-60

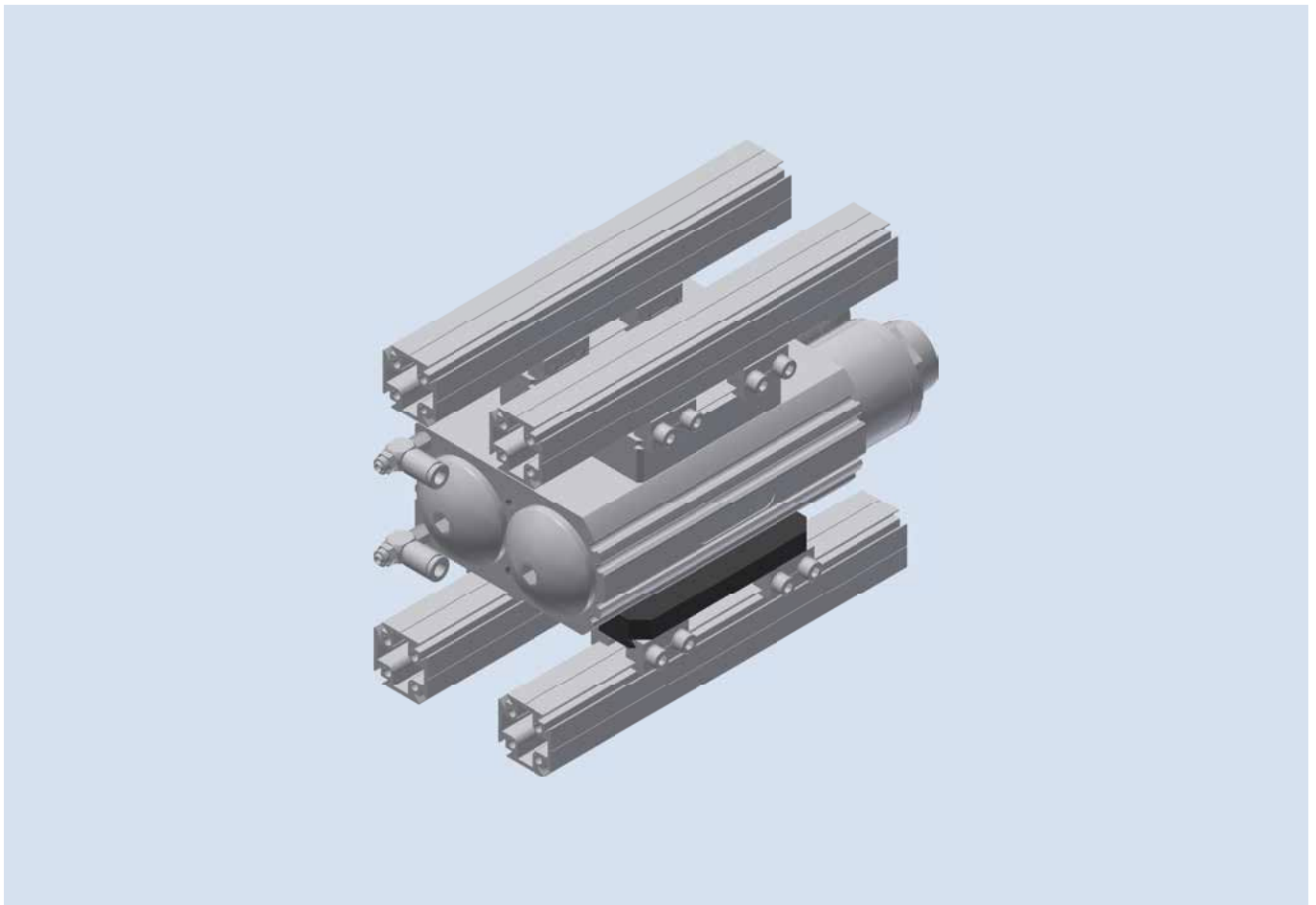
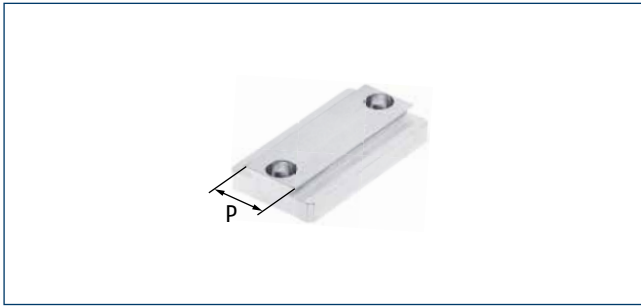


Illustration may differ from the original

Adapter Plate ADA for Miniature Swivel Unit SRU mini



- With centerings for miniature swivel unit SRU mini
- Scope of delivery incl. mounting material

Technical Data

Description	ID	P	Suitable for
ADA-SRU-8.2-10.2-P13	1403819	P13	SRU-8.2 and SRU-10.2
ADA-SRU-12.2-14.2-P13	1403820	P13	SRU-12.2 and SRU-14.2

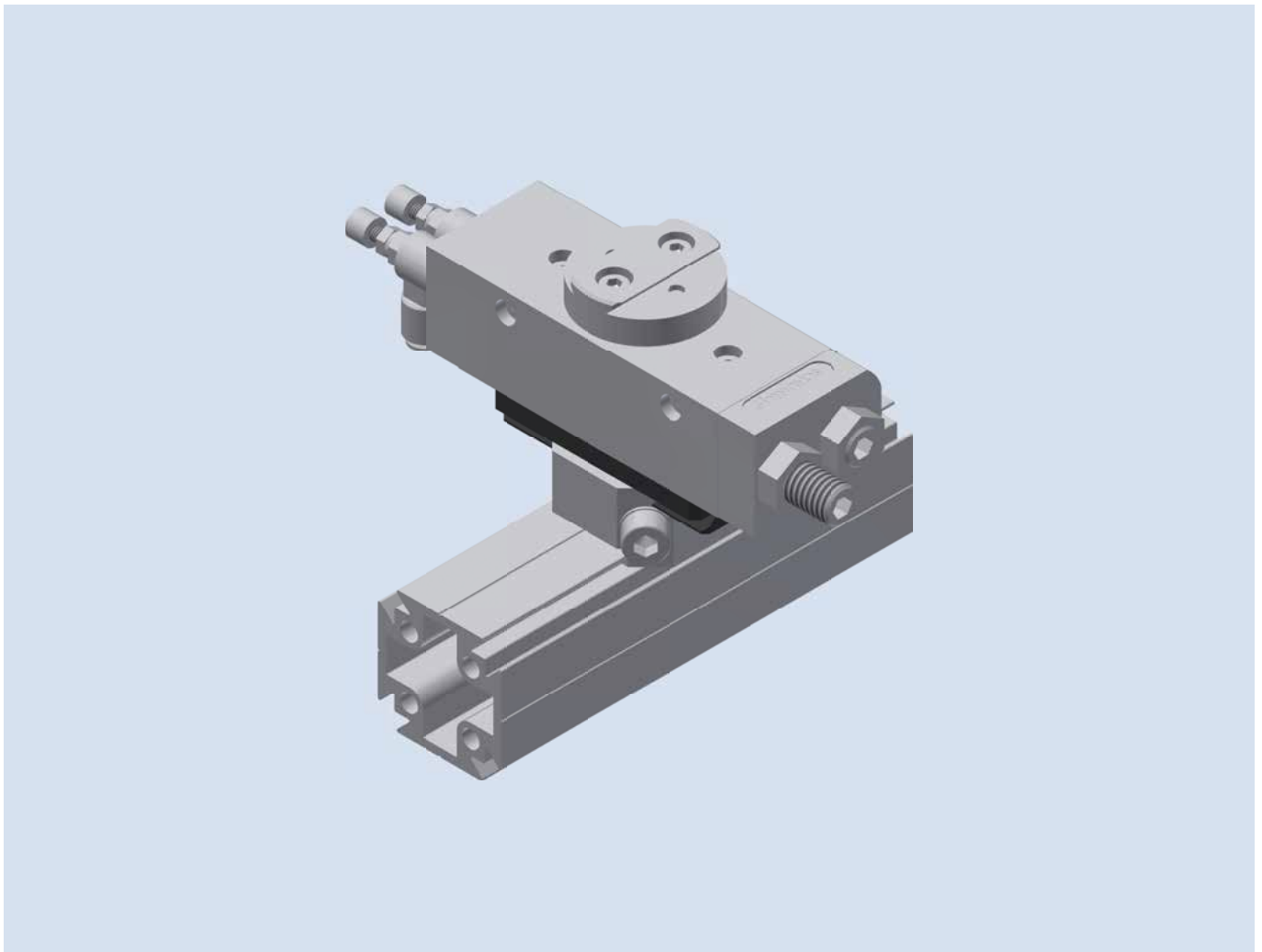
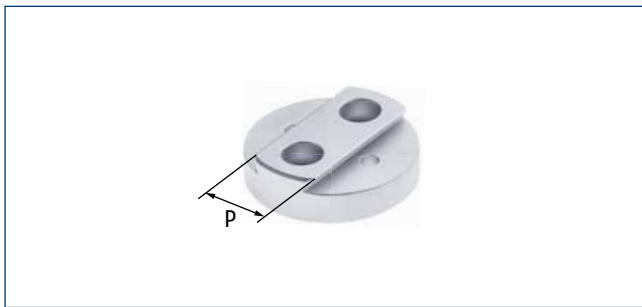


Illustration may differ from the original

Adapters for Rotary Units

Modular Connection Kit Gripping Systems

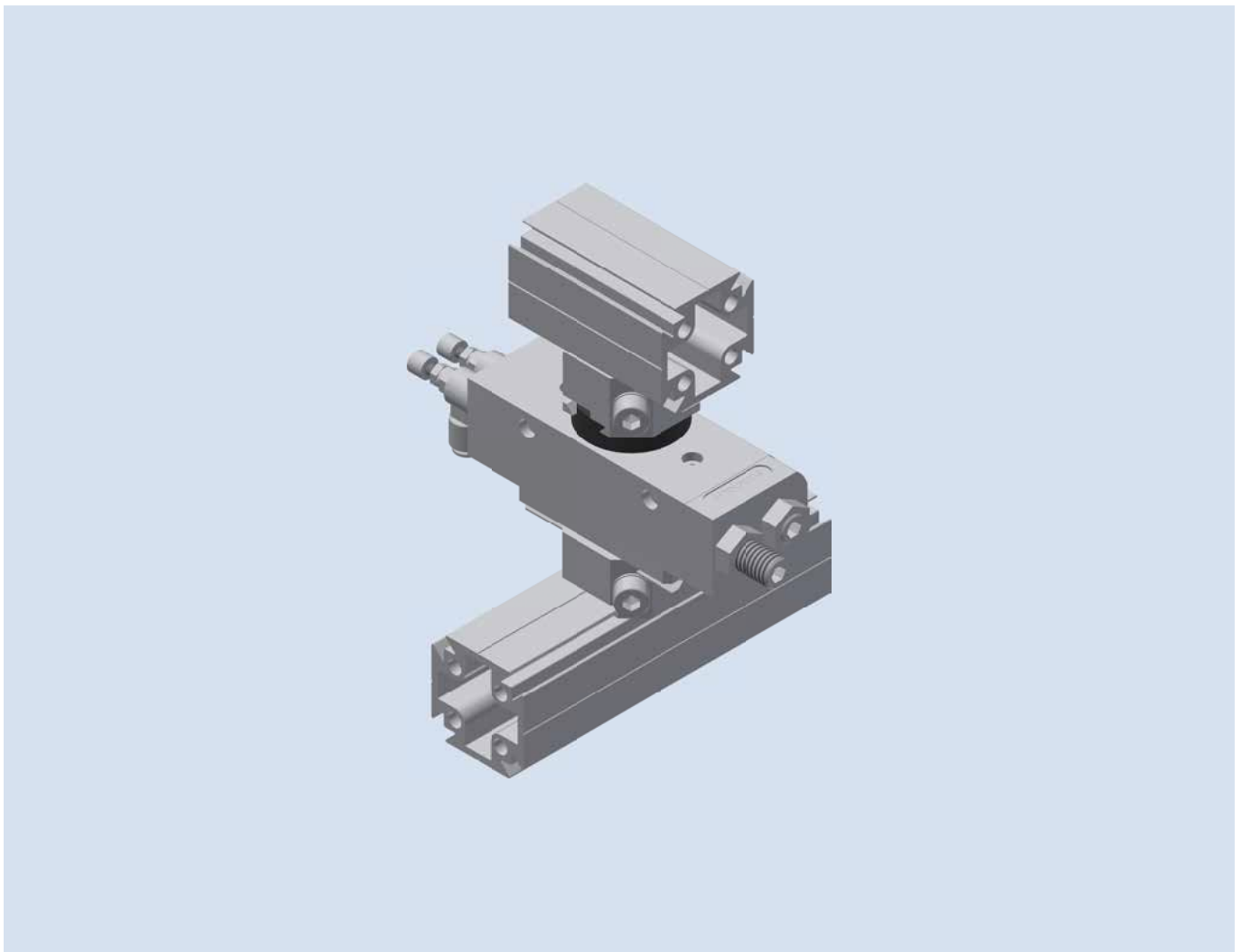
Head Plate KOP for Miniature Swivel Unit SRU mini



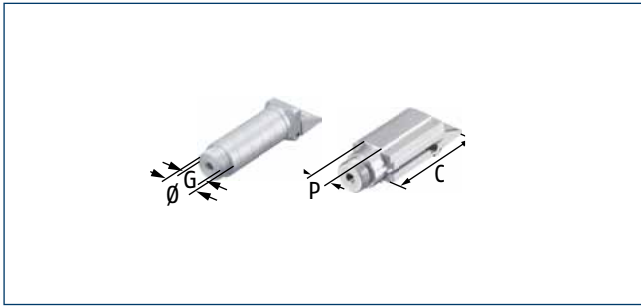
- With centerings for miniature swivel unit SRU mini
- Scope of delivery incl. mounting material

Technical Data

Description	ID	P	Suitable for
KOP-SRU-8.2-10.2-P13	1403821	P13	SRU-8.2 and SRU-10.2
KOP-SRU-12.2-14.2-P13	1403822	P13	SRU-12.2 and SRU-14.2



Gripper Finger GFI 95° with Monitoring Option



- Extra short design
- Various mounting options
- Marking aid on shank every 10 mm for simple adjustment
- Precentered for pressure plate Easy DRP-X-E-G

Note

- Active principle: single-acting
- Extension thread for extension pipe VLR
- GFI-14-95-E monitoring option on request, already available as standard with other variants
- Operating pressure: Use 6 bar filtered and dried air

Accessories

- Extension pipe VLR
- Attachment piece GAS-90
- Pressure plate Easy DRP-X-E-G

Technical Data

Description	ID	Ø [mm]	G	C	D [mm]*	Gripping force at 6 bar [N]	Air connection	Suitable for	Weight [g]
GFI-14-95-E	1334759	14	M12 x 1	55	4	20	M5	DPR-10-X-E-G	20
GFI-20-95-E	1334778	20	M17 x 1	83	5	40	M5	DPR-16-X-E-G	49
GFI-30-95-E	1334801	30	M27 x 1	98	2 x 5	125	G1/8	DPR-16-X-E-G	143
GFI-20-95	1334768	20	M17 x 1	70	P13	40	M5	DPR-16-X-E-G	67
GFI-30-95	1334790	30	M27 x 1	95	P22	125	G1/8	DPR-16-X-E-G	164

*Through-hole for DRP-X-E-G

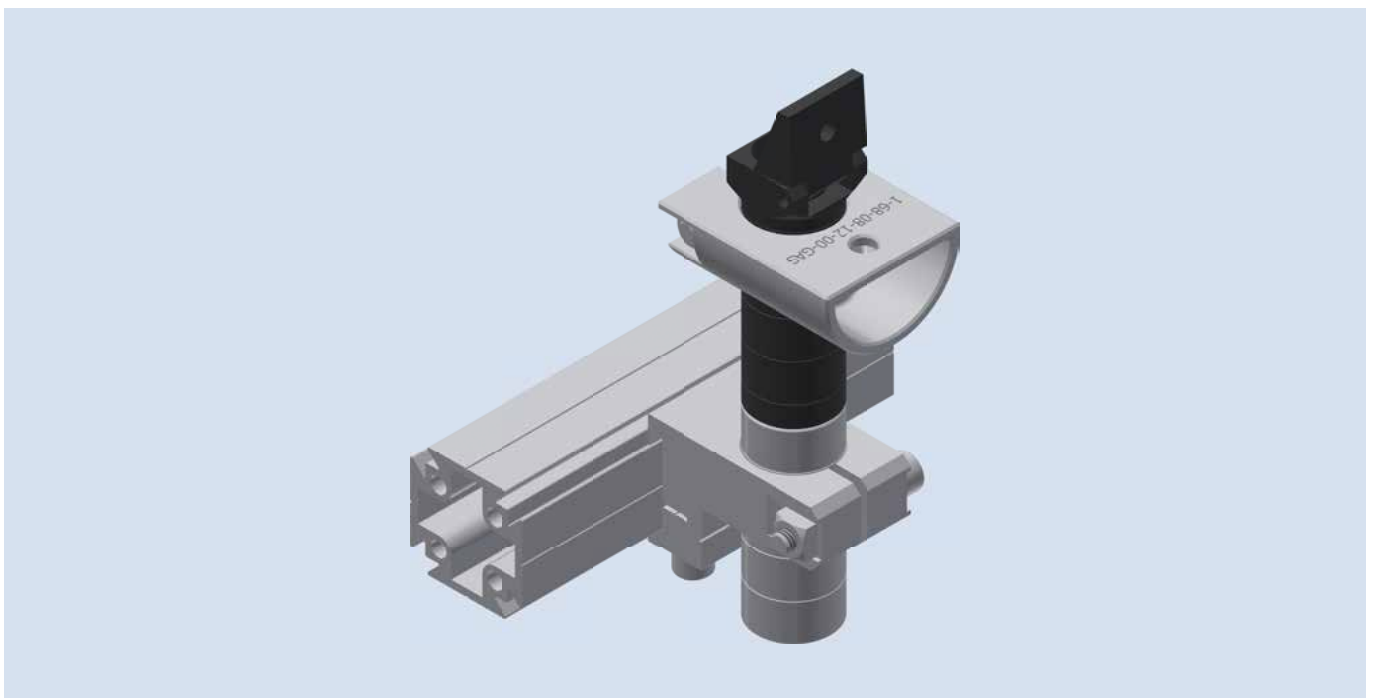
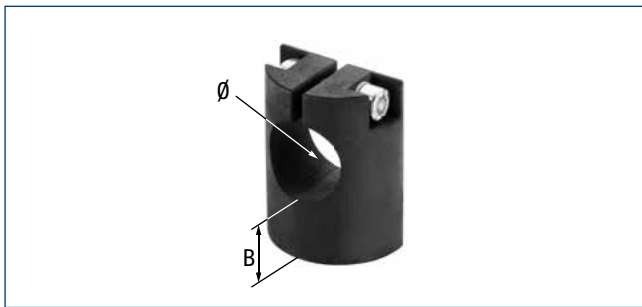


Illustration may differ from the original

Gripper Fingers and Accessories

Modular Connection Kit Gripping Systems

Gripper Finger GAS-MK Stop Piece round-compatible



- Flat, connection surface: Suitable for all applications
- Large support area for workpiece
- Precentered for pressure plate Easy DRP-X-E-G
- Material: PA-12 laser-sintered
- Color: black

Accessories

- Pressure plate Easy DRP-X-E-G
- Gripper finger GFI-95-E
- Gripper finger GFI-90-E

Technical Data

Description	ID	\varnothing [mm]	B	\varnothing Through-hole [mm]	Pressure plate	Centering pin	Gripper finger	Weight [g]
GAS-10-MK	1403834	10	11	4	DPR-10-X-E-G	ZEB-10		14
GAS-14-MK	1334831	14	14	5	DPR-16-X-E-G	ZEB-14	GFI-14-E	18
GAS-20-MK	1334832	20	17	5	DPR-16-X-E-G	ZEB-20	GFI-20-E	33
GAS-30-MK	1334833	30	24	2 x 5	DPR-16-X-E-G	ZEB-30	GFI-30-E	52

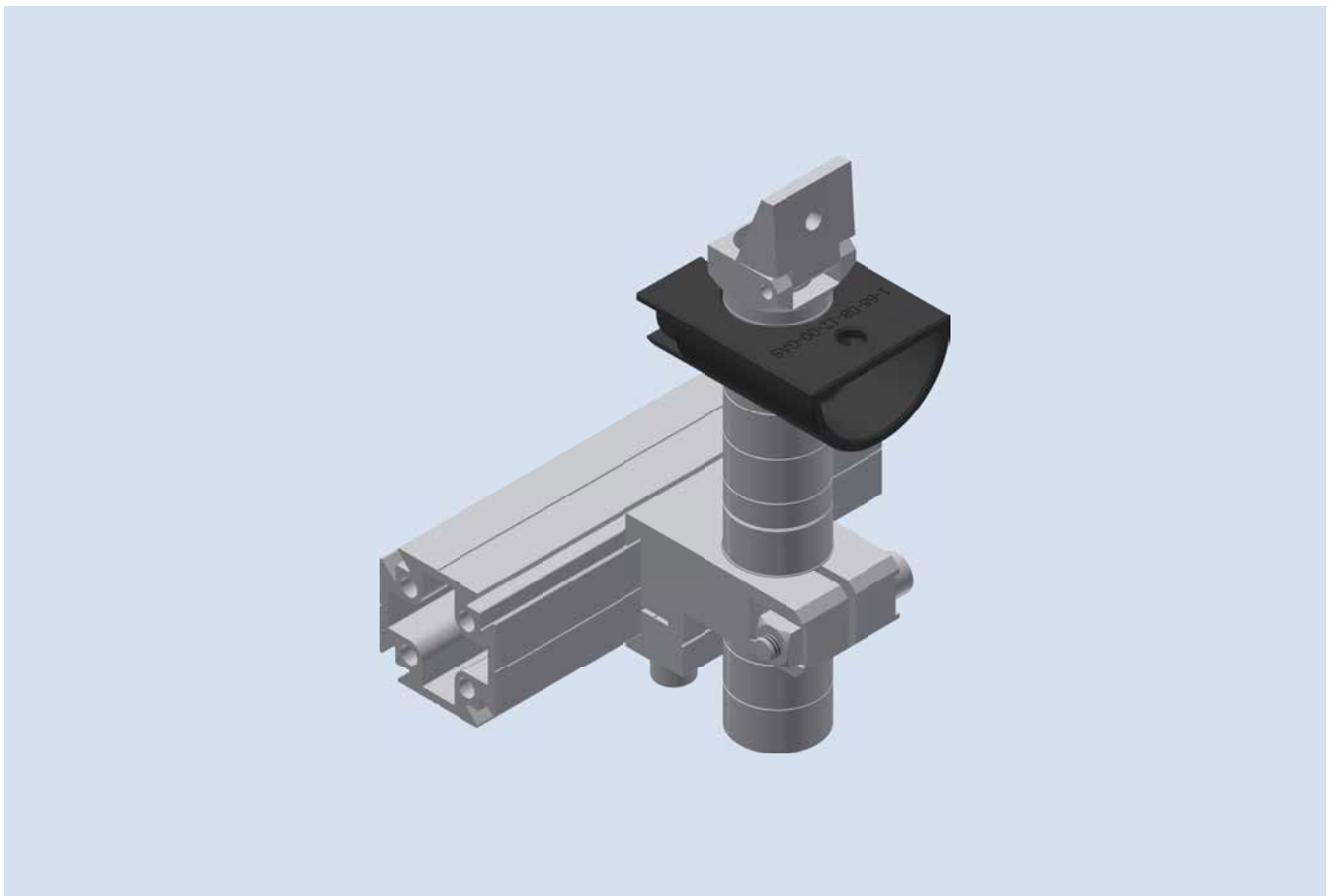
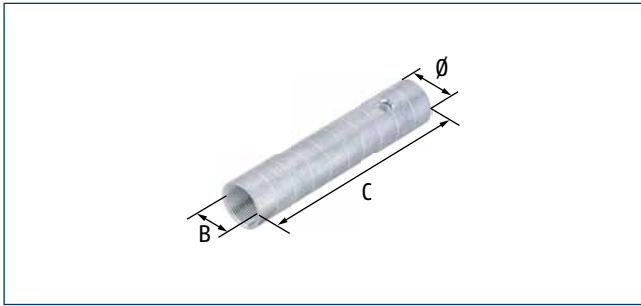


Illustration may differ from the original

Extension Tube VLR with Internal Thread



- For extending components
- Lateral bore for simple assembly
- Marking aid every 10 mm on shank for simple adjustment (except for length 1,000 mm)
- Centering pin ZEB
- Gripper finger

Technical Data

Description	ID	Ø [mm]	B	C	Material	Suitable for	Weight [g]
VLR-10-30-A	1335599	10	M8 x 1	30	Aluminum	ZEB-10	3
VLR-10-60-A	1335603	10	M8 x 1	60	Aluminum	ZEB-10	7
VLR-10-90-A	1335604	10	M8 x 1	90	Aluminum	ZEB-10	11
VLR-14-40-A	1335608	14	M12 x 1	40	Aluminum	ZEB-14	7
VLR-14-80-A	1335609	14	M12 x 1	80	Aluminum	ZEB-14	15
VLR-14-120-A	1335611	14	M12 x 1	120	Aluminum	ZEB-14	22
VLR-20-50-A	1335612	20	M17 x 1	50	Aluminum	GFI-20/ZEB-20	14
VLR-20-100-A	1335613	20	M17 x 1	100	Aluminum	GFI-20/ZEB-20	29
VLR-20-150-A	1335615	20	M17 x 1	150	Aluminum	GFI-20/ZEB-20	44
VLR-30-80-S	1335618	30	M27 x 1	80	Steel	GFI-30/ZEB-30	102
VLR-30-80-A	1335622	30	M27 x 1	80	Aluminum	GFI-30/ZEB-30	42
VLR-30-140-A	1335623	30	M27 x 1	140	Aluminum	GFI-30/ZEB-30	76
VLR-30-200-A	1335656	30	M27 x 1	200	Aluminum	GFI-30/ZEB-30	110

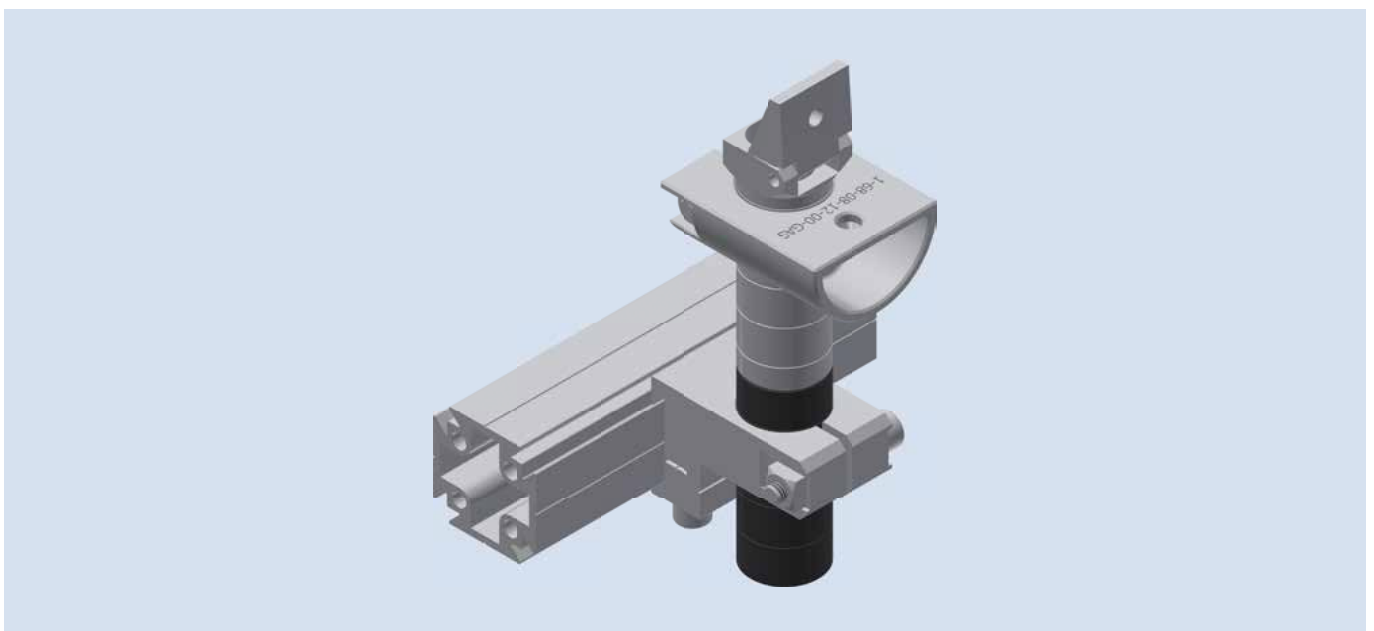


Illustration may differ from the original

Gripper Fingers and Accessories

Modular Connection Kit Gripping Systems

Centering Pin ZEB



- For centering of parts for handling
- Lateral bore for simple assembly
- Material: POM

Accessories

- Extension pipe VLR
- Attachment piece GAS-90

Technical Data

Description	ID	G	B	C	Weight [g]
ZEB-10-40	1335658	M8 x 1	10	40	4
ZEB-14-60	1335659	M12 x 1	14	60	12
ZEB-20-80	1335661	M17 x 1	20	80	35
ZEB-30-100	1335662	M27 x 1	30	100	90

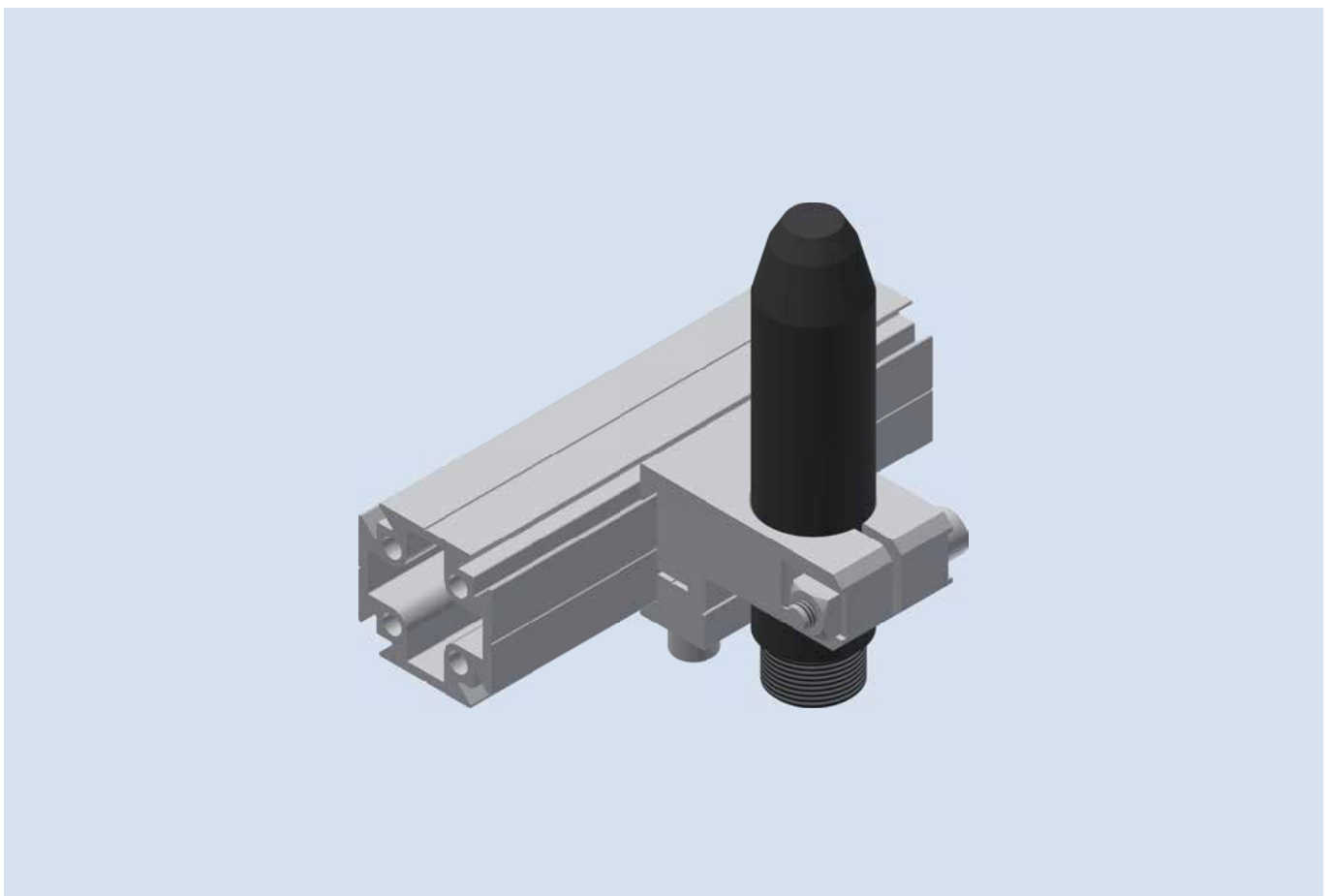
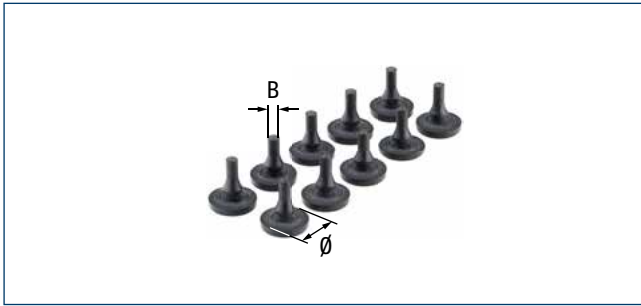


Illustration may differ from the original

Pressure Plate DRP-X-E-G Easy



- Material: EPDM
- Temperature resistance: -40 °C to +90 °C, temporarily up to 120 °C
- Shipping unit: 10 pieces

Accessories

- Gripper finger GFI
- Gripper finger stop piece GAS-MK

Technical Data

Description	ID	ø [mm]	B = Through-hole for GFI [mm]	Weight [g]
DRP-10-E-G	1335754	10	4	2
DRP-16-E-G	1335756	16	5	2

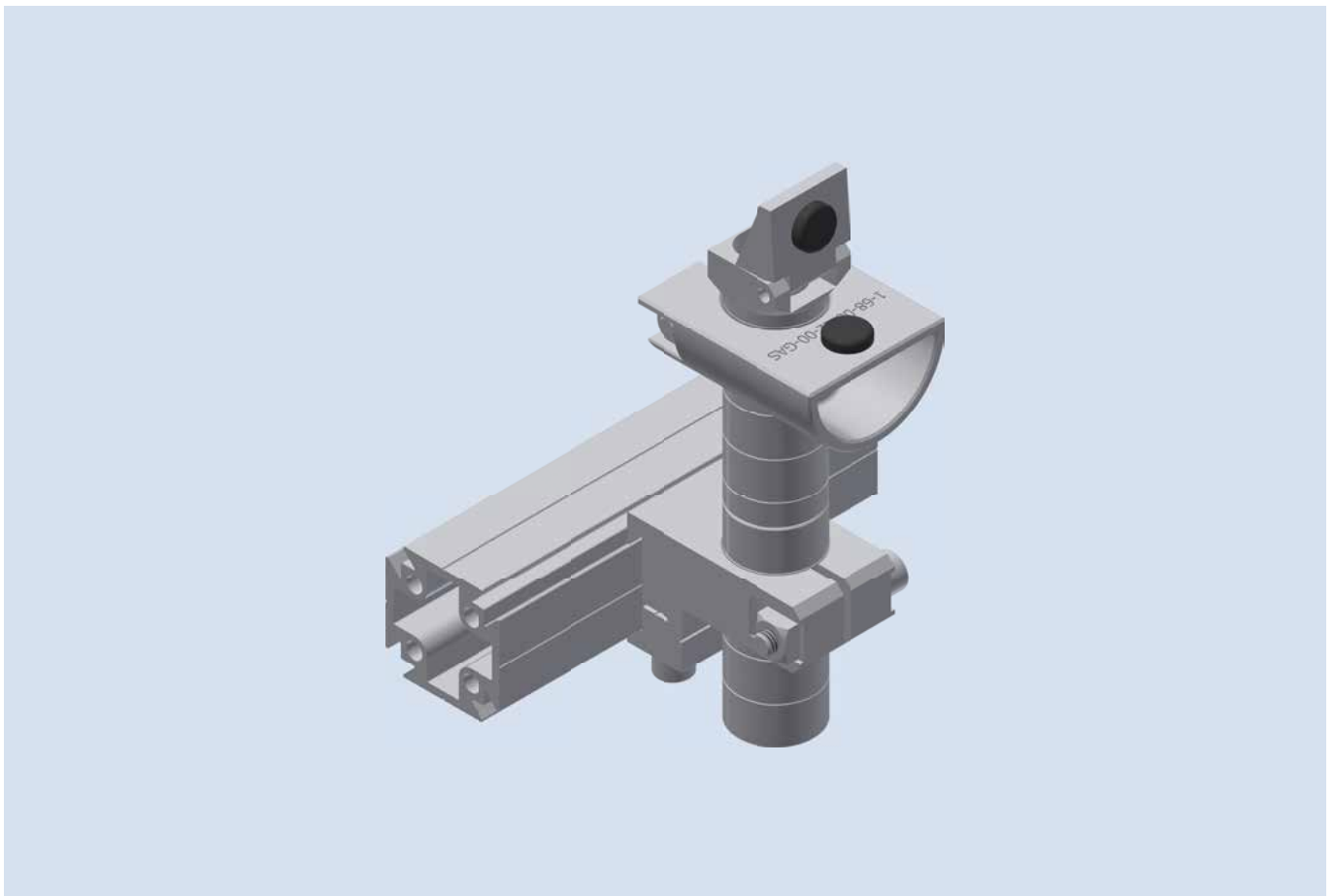


Illustration may differ from the original

Modular Connection Kit

Gripping Systems

An infinite Number of Standard Combinations for your individual Gripping System

The modular connection kit consists of more than 150 different adapter elements. Using these connectors, adapters, base plates, retaining plates and clamping pieces, the widest variety of SCHUNK components like parallel grippers, stroke units and rotary drives can simply be combined to create one system. Adapter elements for between the SCHUNK component and the robot and, for between the component and the workpiece are all available.



Your Added Value

- Simple assembly due to this proven modular system
- Weight-saving, custom-fit connection with standard SCHUNK components
- The adapter elements are fastened using SCHUNK centering elements for maximum accuracy
- Components can be added at any time later on

PreciGrip Profiles for greater Stability and faster Assembly

- Form-fit connection for maximum precision and repeat accuracy
- Profiles and clamping pieces orientate themselves to 90° of their own accord
- Screws can be accessed and replaced at any time
- Additional components can be added later without having to remove any other components



Copyright:

All text drawings and product illustrations are subject to copyright and are the property of SCHUNK GmbH & Co. KG or its respective licensors. All rights reserved. Any reproduction, processing, distribution (making available to third parties), translation or other usage – even excerpts – of the manual is especially prohibited and requires our written approval.

Technical Changes:

The data and illustrations in this catalog are not binding and only provide an approximate description. We reserve the right to make changes to the product delivered compared with the data and illustrations in this catalog, e.g. in respect of technical data, design, fittings, material and external appearance.

**Headquarters Lauffen/Neckar**

SCHUNK GmbH & Co. KG
Spann- und Greiftechnik
Bahnhofstr. 106 - 134
D-74348 Lauffen/Neckar
Tel. +49-7133-103-0
Fax +49-7133-103-2399
info@de.schunk.com
schunk.com

**Plant Brackenheim-Hausen**

SCHUNK GmbH & Co. KG
Spann- und Greiftechnik
Robert-Bosch-Str. 12
D-74336 Brackenheim-Hausen
Tel. +49-7133-103-0
Fax +49-7133-103-2399
info@de.schunk.com
schunk.com

**Plant Mengen**

H.-D. SCHUNK GmbH & Co.
Spanntechnik KG
Lothringer Str. 23
D-88512 Mengen
Tel. +49-7572-7614-0
Fax +49-7572-7614-1039
futter@de.schunk.com
schunk.com

**Plant St. Georgen**

SCHUNK Electronic Solutions GmbH
Am Tannwald 17
D-78112 St. Georgen
Tel. +49-7725-9166-0
Fax +49-7725-9166-5055
electronic-solutions@de.schunk.com
schunk.com

**Plant Huglfing**

SCHUNK Montageautomation GmbH
Auwiese 16
D-82386 Huglfing
Member of SCHUNK Lauffen
Tel. +49-8802-9070-30
Fax +49-8802-9070-340
info@de.schunk.com
schunk.com

**Plant Winkler Lauffen/Neckar**

Winkler Präzisionswerkzeuge GmbH
Im Brühl 64
D-74348 Lauffen/Neckar
Member of SCHUNK Lauffen
Tel. +49-7133-97440-0
Fax +49-7133-97440-99
post@winkler-gmbh.de
schunk.com

**Plant Eberhardt Cleebrohn**

Eberhardt GmbH & Co. KG
Maybachstr. 2
D-74389 Cleebrohn
Member of SCHUNK Lauffen
Tel. +49-7135-9862-0
Fax +49-7135-9862-299
info@eberhardt-stanztechnik.com
schunk.com

**Plant Morrisville/North Carolina, USA**

SCHUNK Intec Inc.
211 Kitty Hawk Drive
Morrisville, NC 27560, USA
Tel. +1-919-572-2705
info@us.schunk.com
us.schunk.com

**Plant Aadorf, Switzerland**

GRESSEL AG
Schützenstr. 25
CH-8355 Aadorf
Tel. +41-52-368-16-16
Fax +41-52-368-16-17

**Plant Caravaggio, Italy**

S.P.D. S.p.A.
Via Galileo Galilei 2/4
IT-24043 Caravaggio (BG)
Tel. +39-0363-546511
Fax +39-0363-52578

No. 1

for safe, precise gripping
and holding.



J. Lehmann

Jens Lehmann, German goalkeeper legend,
SCHUNK brand ambassador since 2012
for safe, precise gripping and holding.
schunk.com/lehmann

852 minutes without a
goal against him in the
Champions League

681 minutes without a goal
against him on the national team

2 intercepted penalties
in the 2006 World Cup

1 headed goal as a goalie

0 defeats English Soccer Champion

and

More than **2,000,000**
sold precision toolholders

About **1,000,000**
delivered SCHUNK grippers

More than **100,000**
lathe chucks and stationary
workholding systems are in use
worldwide

More than **16,000,000**
sold standard chuck jaws

More than **75,000**
implement hydraulic expansion
customized solutions

SCHUNK GmbH & Co. KG
Spann- und Greiftechnik

Bahnhofstr. 106 - 134
D-74348 Lauffen/Neckar
Tel. +49-7133-103-2503
Fax +49-7133-103-2189
cmg@de.schunk.com
schunk.com

Follow us

